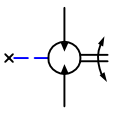
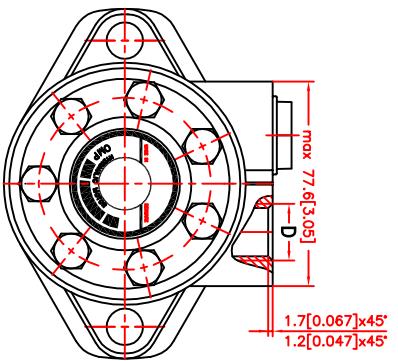
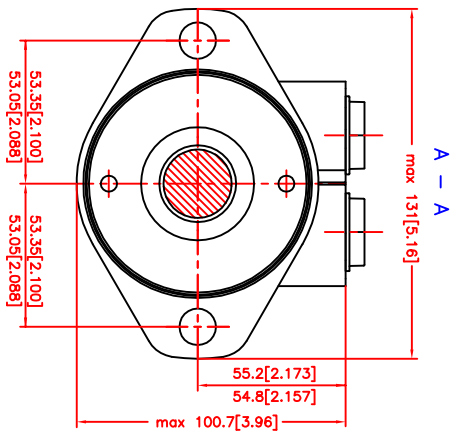


*Devices from
SAE 6 B (BS 2059)

D:c 1/2: 15[0.59] deep
E: M6: 13[0.51] deep (+)



Scale	Projection		OMP 125
Date	02.06.10		
Design	PRC	with spl. $\phi 1"$ shaft	A2 flange, sideport
Appr.			
<p><small>Conditions: Property of Sauer-Danfoss (Danfoss) A/S. Danfoss is not to be held responsible for any errors or omissions in this drawing. Sauer-Danfoss (Danfoss) A/S can accept no responsibility for possible errors or omissions. Sauer-Danfoss (Danfoss) A/S reserves the right to alter products design or provide that same modification can be made without any previous notice. The reproduction of this drawing is prohibited.</small></p>			No.
			8_151-0633_8