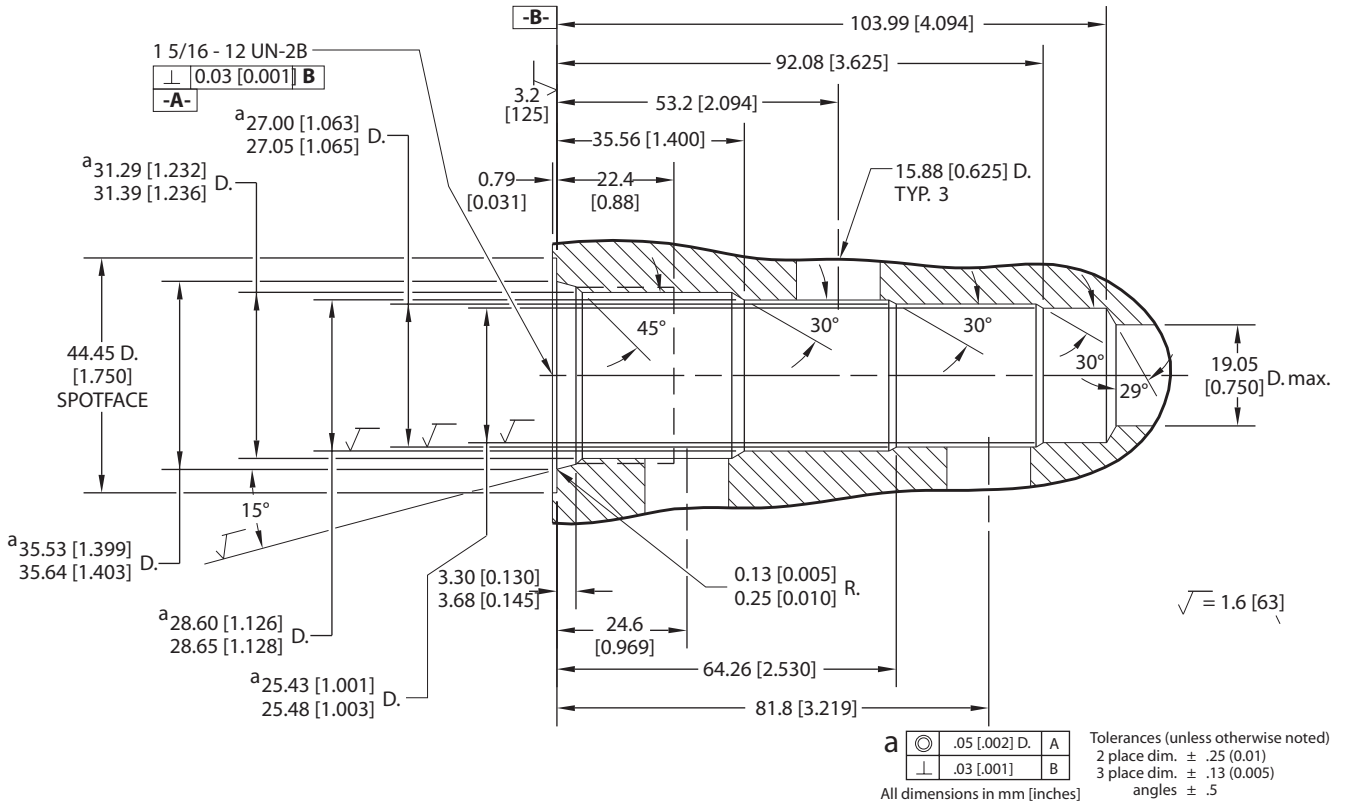


Dimensions

mm [in]



CA - Cavities
CP16-4

Form tools

	Model code	Material number
Roughing tool	CP-16-4-FT	11027092
Finishing Tool	CP-16-4-RT	11027093

Housings

Order Code	Description	Ports	Page
CP16-4-12S	Aluminum Housing	SAE #12	HS - 20
CP16-4-12S-X1	Aluminum Housing, No Port #1	SAE #12	HS - 19
CP16-4-16S	Aluminum Housing	SAE #16	HS - 20
CP16-4-16S-X1	Aluminum Housing, No Port #1	SAE #16	HS - 19
CP16-4-6B	Aluminum Housing	3/4 BSP	HS - 20
CP16-4-8B	Aluminum Housing	1 BSP	HS - 20