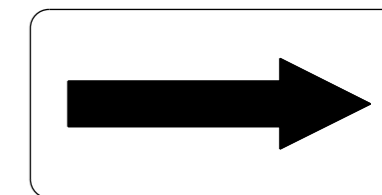
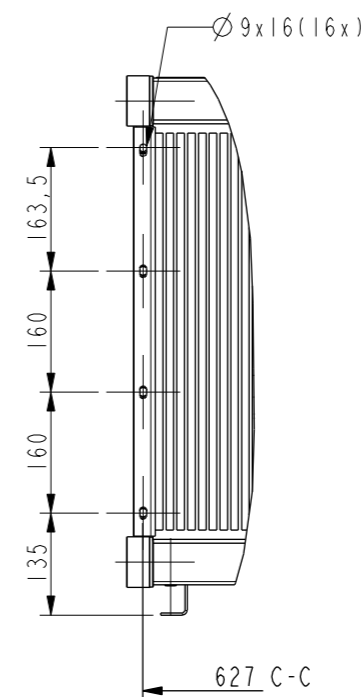
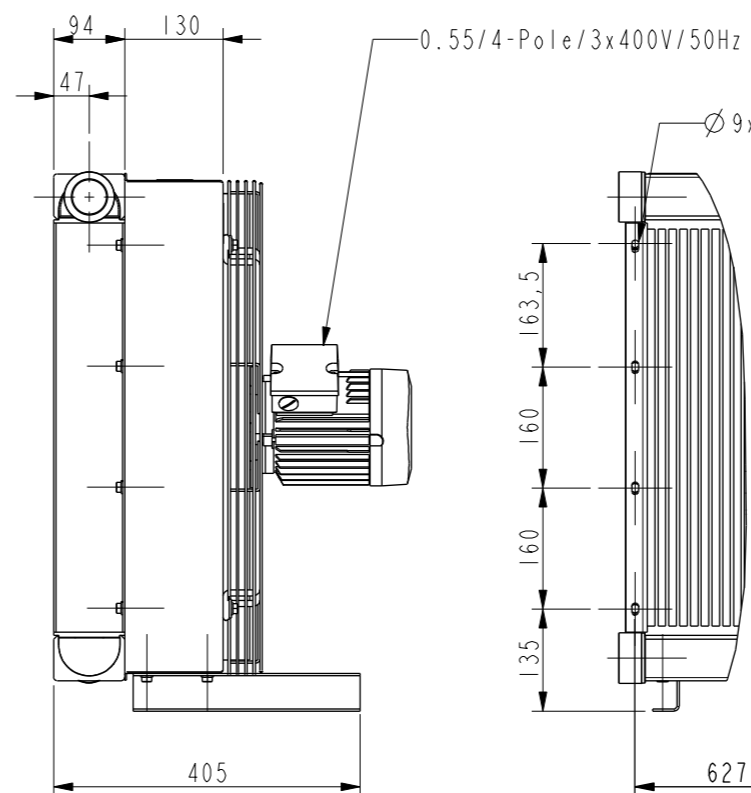
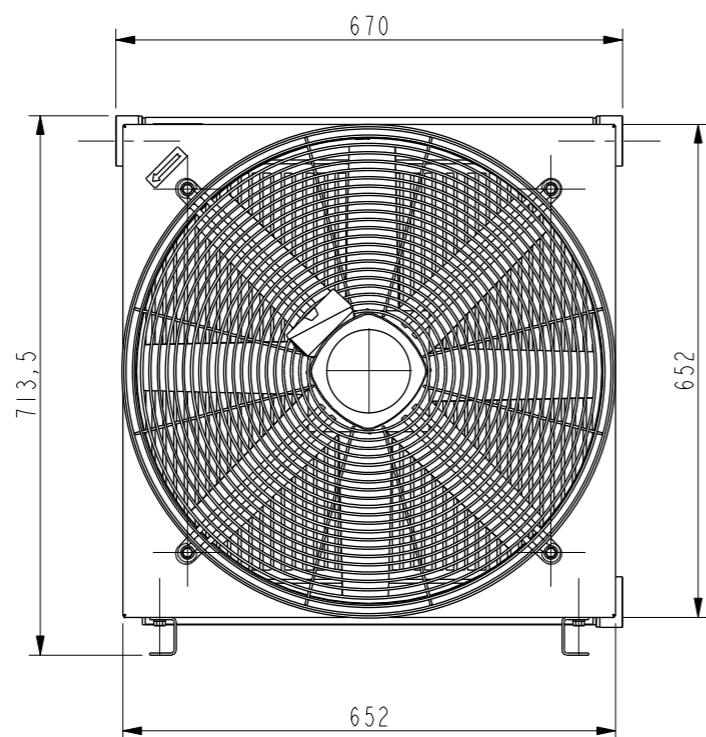
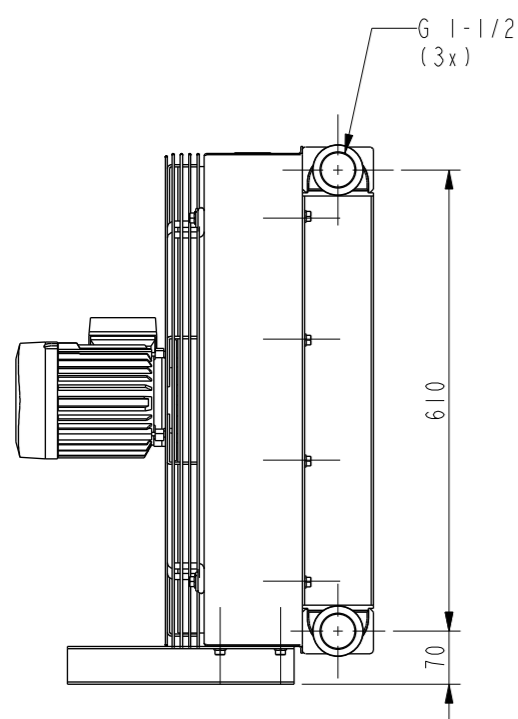
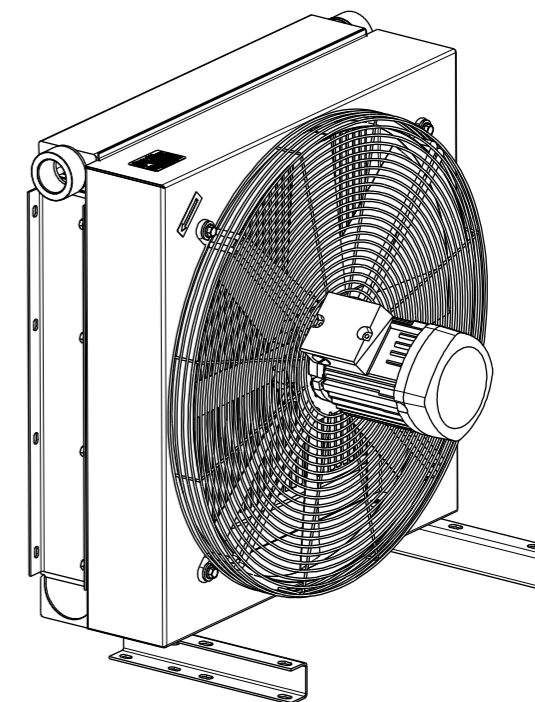


Direction of Air-flow

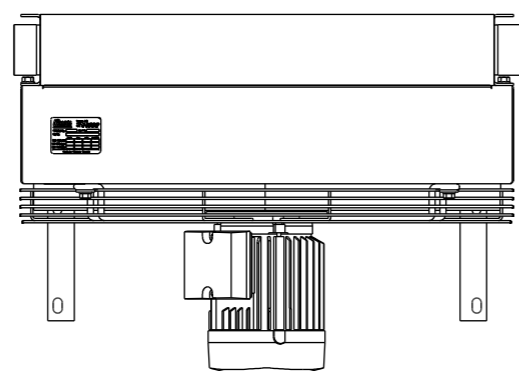


FAN ROTATION

<b>Nissens</b>		Nissens A/S	
		TEL. 45 76 26 26 26	
		FAX. 45 75 64 62 66	
Prod. no.:	<input type="text"/>	DATE:	<input type="text"/>
Customer ID. NO.:	260016		
Nissens part no.:	-		
TEST PRES: (bar)	OIL: 30	AIR: -	WATER: -
MAX PRES: (bar)	20	-	-
MIN/MAX TEMP: (°C)	-	-	-
Made by Nissens			

Product in accordance with the following directives:  
 PED 97/23/Ec Article 3, part 3

Surface treatment	Mass
Alu Grey, Steel Black -	53 [kg]
Pressure testing	Tolerance class
According to random sampling	ISO 2768-v



Revision change				Special Characteristics	
-				Ⓢ	
-				Status	
-				In Work	
Revision date	Revised by	Project ID		Part no.	
-	-	-		260016	
Creation date	Created by	Customer		Drw no.	
08.12.10	MT	-		038721-00	
NISSENS A/S DK - 8700 HORSENS TEL.: (+45) 7626 2626 WWW.NISSENS.COM			<b>Nissens</b>		Description
					HP_60-2-400V-4Po1
					Format
					A3
					Scale
					1:10