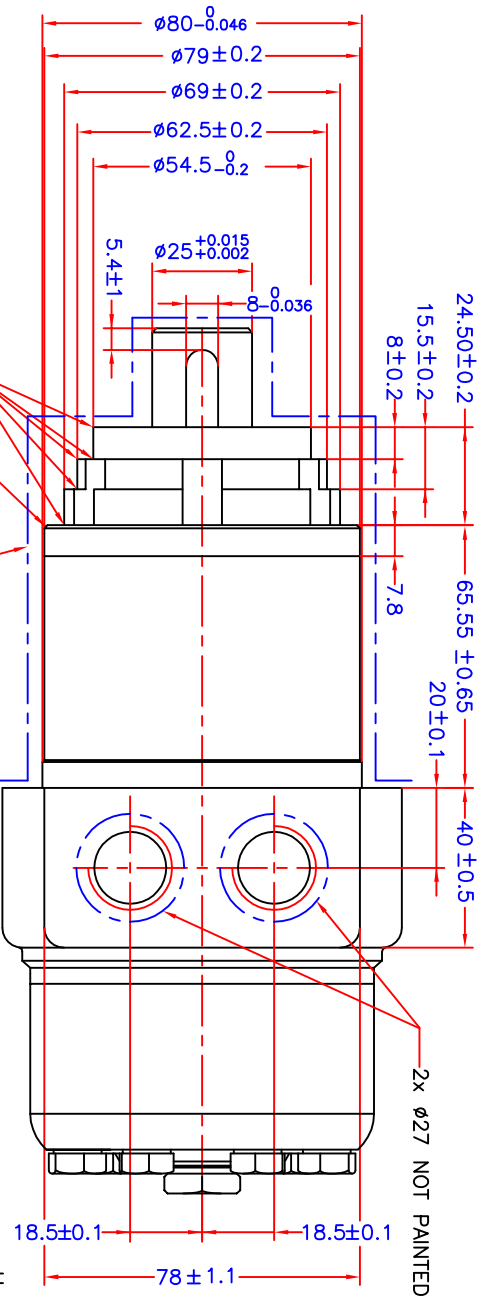
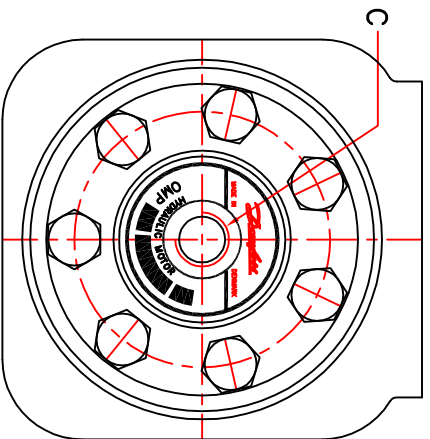
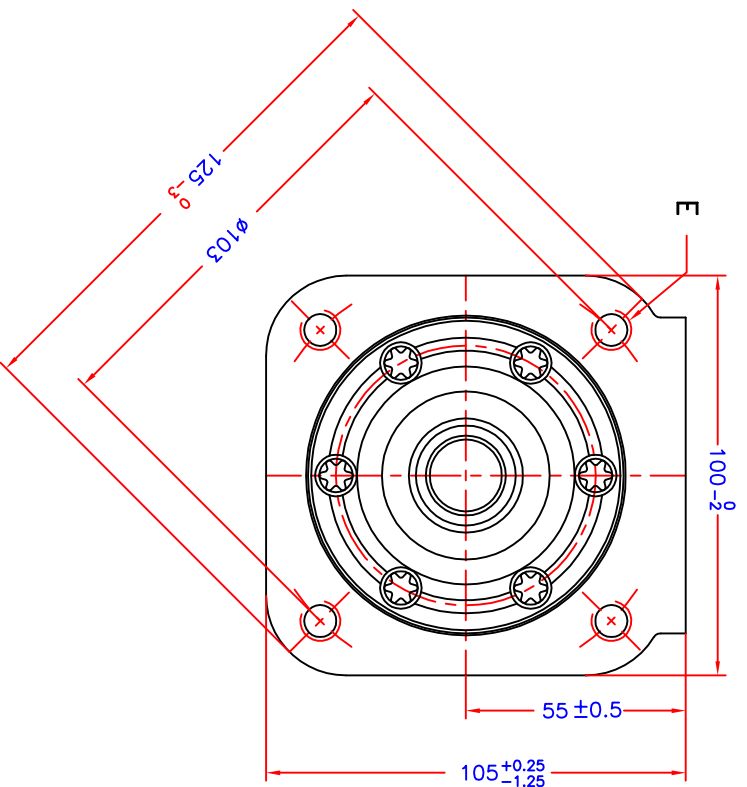


The motor are painted to the following specification:
 Indication: Polyester powder without volatile organic compounds.
 Thickness: 80 – 100 µm
 Colour: Ral 9011 (Black)
 Corrosion class: 3 acc. 500B0319, DS 412 and DS/R 454
 When the polyester coating are to paint over, please contact the Danfoss Sales Organisation.



R0.25±0.2
 0.8±0.3x45°±5°
 NOT PAINTED
 C: Drain connection
 G 1/4; 12 mm deep
 D: G 1/2; 15 mm deep
 E: M10; 20 mm deep (4 off)



Designation Hydraulic motor with $\phi 25$ shaft Spec. flange, Black painted				Code No. 151-7169	
Type	OMPW 250	Spn	PRC	Date	99.03.16
Approved		Printed	99.10.06	Drawing No.	8_151-7169_7

Confidential property of Danfoss Nordborg, Denmark. Not to be reproduced, copied or used by third party.
 Danfoss Nordborg, Denmark
 These notes that this drawing are not to be used for manufacturing or other purposes without the written approval of the drawing specifications. For more information, please contact the drawing office.
 Drawing No. 8_151-7169_7