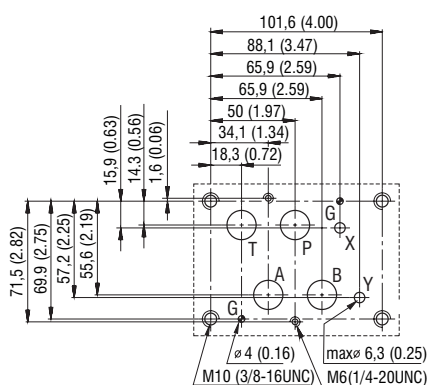

Technical Features

- Directional control valve, internally or externally pilot operated with mounting interface acc. to ISO 4401, DIN 24340 (CETOP 07)
- Driven by an ISO 4401-03 (CETOP 03) solenoid operated directional valve (RNEH) or a hydraulic pilot operated directional valve (RNH) without pilot valve
- Electrohydraulic and hydraulic control ports X and Y
- Version for high pressures 420 bar (6090 PSI) available
- High transmitted hydraulic power, optimized design to minimize the pressure drop
- Flexibly changed from internal pilot or drain to external by inserting or removing threaded plugs in the main control valve body
- Wide range of interchangeable spools and valve controls available
- Soft-shift, spool speed, main stroke limiter control options
- In the standard version, the valve housing is phosphated and steel are parts zinc-coated for 240 h protection acc. to ISO 9227
- Enhanced surface protection for mobile sector for up to 520 h salt spray acc to ISO 9227 available

ISO 4401-07-07-0-05


 Ports P, A, B, T max \varnothing 17.5 mm (0.69 in)

Technical Data

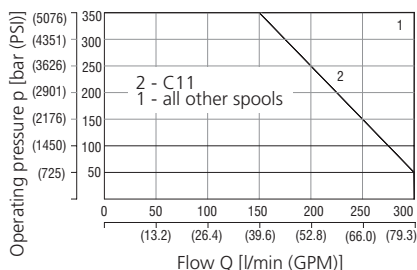
| Valve type | | RN*5-16 | RN*5H-16 |
|---|-----------|----------------------------|--------------|
| Valve size | | 16 (D07) | |
| Max. flow | | 300 (80) | |
| Max. operating pressure at port P, A, B | | 350 (5080) | 420 (6090) |
| - at port T (external drain) | | 210 (3050) | 350 (5080) |
| - at port T (internal drain) | | 210 (3050) | |
| Minimum pilot pressure | | 12 (174) | |
| Maximum pilot pressure | | 210 (3050)* | 350 (5080)* |
| Fluid temperature range (NBR) | | -30 ... +80 (-22 ... +176) | |
| Fluid temperature range (FPM) | | -20 ... +80 (-4 ... +176) | |
| Ambient temperature range | | -30 ... +50 (-22 ... +122) | |
| Supply voltage tolerance | | AC: \pm 10 | DC: \pm 10 |
| Max. switching frequency | | 10 000 | |
| Enclosure type acc.to EN 60529 | | IP 65 | |
| Switching time at $v=32$ mm ² /s (156 SUS) | ON | AC: 60 ... 80** | |
| | OFF | DC: 50 ... 70** | |
| Mass | RNH5-16 | 6.6 (14.6) | |
| | RNEH5-162 | 8.2 (18.1) | |
| | RNEH5-163 | 8.8 (19.4) | |
| Data Sheet | | Type | |
| General information | | GI_0060 | |
| Mounting interface | | SMT_0019 | |
| Spare parts | | SP_8010 | |
| Products and operating conditions | | Size 16 | |

* For higher system pressure use option „Z“
 ** The values indicated refer to a solenoid valve working with a pilot pressure of 100 bar (mineral oil, temperature = 50°C, viscosity = 36 mm²/s, P - A and B - T connected). The energizing and de-energizing times are obtained at the pressure variation which occurs on the lines.

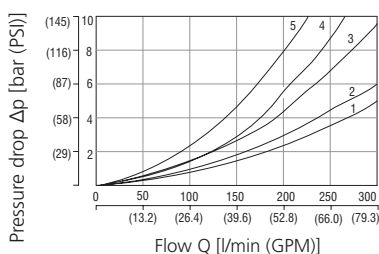
Characteristics measured at $v = 32$ mm²/s (156 SUS)

Operating limits

Operating limits for maximum hydraulic power at rated temperature and supplied with voltage equal to 90% of the nominal value



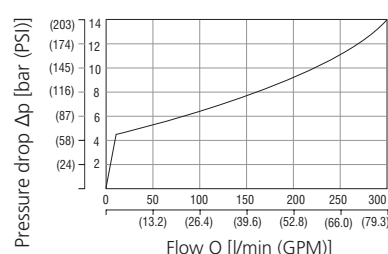
| Pressures bar (PSI) | RNEH5 RNEH5H RNH5 RNH5H | | | |
|--|-------------------------|------------|------------|-----------------------|
| | Min. | Max. | | |
| Pressure in P, A, B ports | - | 350 (5100) | 420 (6090) | 350 (5100) 420 (6090) |
| Piloting pressure (X port and / or Y port) | 12 (175) | 210 (3050) | 350 (5100) | 210 (3050) 350 (5100) |
| Pressure in T line with internal drainage | - | 210 (3050) | 210 (3050) | - - |
| Pressure in T line with external drainage | - | 210 (3050) | 350 (5100) | 210 (3050) 350 (5100) |

Pressure drop related to flow rate


| | Spool position | P-A | P-B | A-T | B-T | P-T |
|----------|----------------|-----------------|-----|-----|-----|-----|
| | | Curves on graph | | | | |
| Z11 | Energized | 1 | 1 | 3 | 4 | |
| H11 | Energized | 1 | 1 | 4 | 4 | |
| | De-energized | | | | | 2 |
| Y11 | Energized | 1 | 1 | 4 | 4 | |
| | De-energized | | | 4 | 4 | |
| C11 | Energized | 2 | 2 | 4 | 5 | |
| | De-energized | | | | | 4 |
| R11, R21 | | 1 | 1 | 3 | 4 | |
| X11, X21 | | 1 | 1 | 4 | 4 | |
| J15, J19 | | 1 | 1 | 3 | 4 | |

Pressure drop related to flow rate

Back pressure valve incorporated on line P (type C3)



The curve refers to the pressure drop (body part only) with back pressure valve energized to which the pressure drop of the reference spool must be added.

Ordering Code

| | | | |
|---|---|--|---|
| 4/2 and 4/3 directional control valve, internally and externally pilot operated | | Surface treatment No designation phosphated body, steel parts zinc-coated (ZnCr-3), ISO 9227 (240 h) B zinc-coated (ZnNi), ISO 9227 (520 h) | |
| Actuation electrohydraulic hydraulic | EH H | Seals No designation NBR V FPM (Viton) | Manual override (only for RNEH) No designation standard N1 protected with retaining nut N2 protected with rubber boot |
| Design series standard 350 bar high pressure 420 bar (not available for C 11 spools) | 5 5H | Solenoid electrical terminals E1 EN 175301-803-A E2 E1 with quenching diode E5 EN 175301-803-A with integrated rectifier | Rated supply voltage of solenoids (at the coil terminal) 01200 12 V DC / 2.72 A 02400 24 V DC / 1.29 A 12060 120 V AC / 0.35 A / 50 (60) Hz 23050 230 V AC / 0.17 A / 50 (60) Hz |
| Valve size ISO 4401-07-07-0-05 (CETOP 07) | | see data sheet RPE3-06 (4010) for other pilot valve options | |
| Number of valve positions two positions three positions | 2 3 | Check valve incorporated in P-line No designation if not required C3 with back pressure check valve | Drain No designation external, I internal |
| Spool symbols see the table „Spool Symbols“ | | | |
| Control Options without additional features main spool stroke limiter main spool shifting speed control shifting speed control, with orifice (0.8 mm) in port P of solenoid pilot valve | No designation C D PF | | |
| Piloting internal internal with installed pressure reducing valve, fixed 30 bar setting external | No designation Z E | | |

Installation Note:

- It is necessary to ensure minimum pilot pressure, therefore either external piloting or option C3 (check valve in P port) must be used for spools which have connection between P and T ports (C11, H11, X21, R21, J19).
- Attention: spools J15, J19 may assume an undefined position without energy supply.
- For directional valves with two solenoids, one solenoid must be de-energized before the other solenoid can be energized.
- The AC coils correspond to E5 solenoid electrical terminal.
- For other solenoid voltages see data sheet HA 8007.
- The solenoid operated valves are delivered without connectors. For connectors see data sheet HA 8008.
- Configurations with centering and recall springs can be mounted in any position; J15, J19 valves - without springs or mechanical retention - must be mounted with the longitudinal axis in the horizontal.
- Other special versions are available. Consult our technical department.

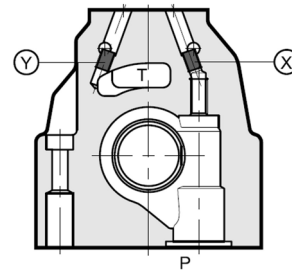
Spool Symbols

| | Three positions with centering spring | | Two positions with return spring | |
|-----|---|--|---|--|
| Z11 | | | X11 | |
| H11 | | | X21 | |
| Y11 | | | R11 | |
| C11 | | | R21 | |
| Z41 | | | Two positions with mechanical detent on pilot valve | |
| Z22 | | | | |
| | Symbols are referred to the solenoid valve RNEH. For the hydraulic control version RNH please see the connection schematic (see page 3) | | J15 | |
| | | | J19 | |

Pilot and Drain

The RNEH valves are available with pilot and drain, both internal and external. The version with external drain allows for a higher back pressure on the outlet.

| Type of valve | | Plug assembly | |
|----------------|-----------------------------------|---------------|-----|
| | | X | Y |
| RNEH5-16**/*** | internal pilot and external drain | NO | YES |
| RNEH5-16**/**I | internal pilot and internal drain | NO | NO |
| RNEH5-16**/*E* | external pilot and external drain | YES | YES |
| RNEH5-16**/*EI | external pilot and internal drain | YES | NO |



plug M6x8

X: for external pilot, **Y:** for external drain

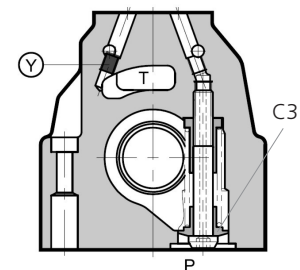
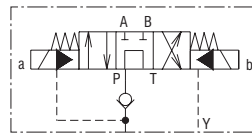
Check Valve Incorporated in Line P

Check valve incorporated in line P: C3

Valves RNEH are available with a back pressure valve incorporated on line P (Type „C3“). This is necessary to obtain the piloting pressure when the control valve (in the rest position) has the line P connected to the port T (spools H11, C11, X21, R21, J19). The cracking pressure is 5 bar with a minimum flow rate of 15 l/min.



In the C3 version the piloting is always internal. The back pressure valve can't be used as a check valve because it doesn't guarantee sealing.



pilot always internal

Y: plug M6x8 for external drain

The back pressure valve can be also delivered separately and it can be easily mounted on line P of the main control valve. Specify the code to order the back pressure valve separately from the spare part data sheet No. 8010.

Electrical Features

Solenoids

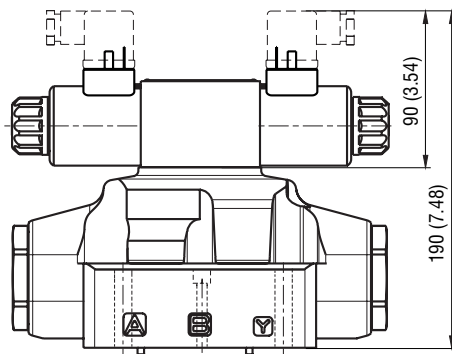
The operating solenoids are DC solenoids. For AC supply, the solenoids are provided with a rectifier integrated in the DIN connector socket as part of the solenoid. The connectors can be turned by 90°. By loosening the nut, the solenoids can be turned or replaced without interfering with any seals of the valve. In case of a solenoid malfunction or power failure, the spool of the valve can be shifted by manual override, provided the pressure in port T does not exceed 25 bar.

For detail information on the pilot valve RPE3-06 refer to data sheet No. 4010.

Actuation in millimeters (inches)

Solenoid control: RNEH

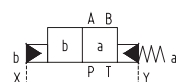
The valve is supplied with an RPE3-06 pilot solenoid valve.



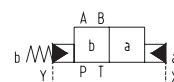
Hydraulic control: RNH

The valve is supplied with a cross-connection cover plate. X and Y connections are used for the hydraulic control of the valve.

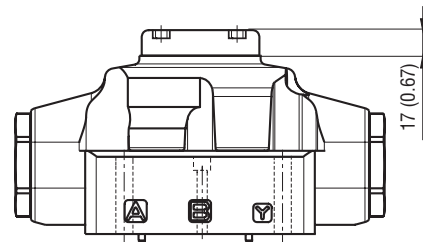
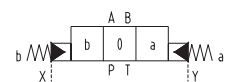
RNH5-162R



RNH5-162X



RNH5-163



The minimum piloting pressure can be as low as 5 bar at low flow rates, but with higher flow rates a pressure of 12 bar is needed.

If the valve operates with higher pressures it is necessary to use the version with external pilot and reduced pilot pressure. Otherwise, the valve with internal pilot and a pressure reducing valve with a 30 bar fixed setting can be ordered.

Control Options - Special Features

Control of the main spool shifting speed: D

By placing a 2VS3-06 flow control valve between the pilot solenoid valve and the hydropiloted valve, the pilot flow rate can be controlled and therefore the shifting speed adjusted. Add the letter **D** to the identification code to request this device.

Pilot pressure reducing valve - 30 bar fixed setting: Z

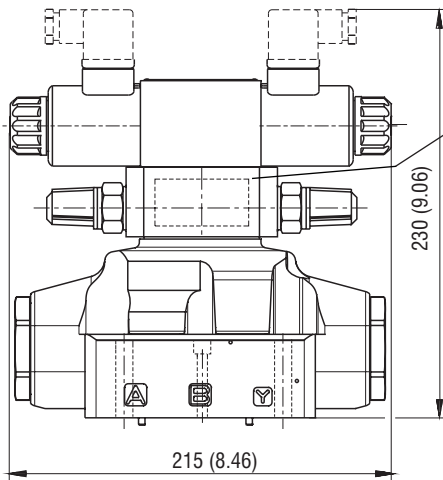
Internal piloting with mounted pressure reducing valve with 30 bar fixed setting. The option **Z** may be used together with option **D**.

Control of the main spool stroke: C

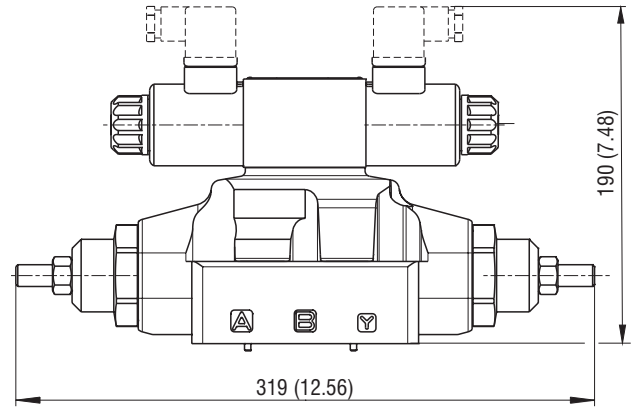
Using special side plugs, it is possible to introduce stroke control the piloted valve so as to vary the maximum spool opening clearance. This solution allows the control of the flow rate from the pump to the actuator and from the actuator to the outlet, resulting in double adjustable control of the actuator. Add the letter **C** to the identification code to request this device.

Shifting speed control: PF

with an orifice (0.8 mm) in port P of the solenoid pilot valve
Add **PF** to the identification code to request this device



Valve 2VS3-06
(or reducing valve)

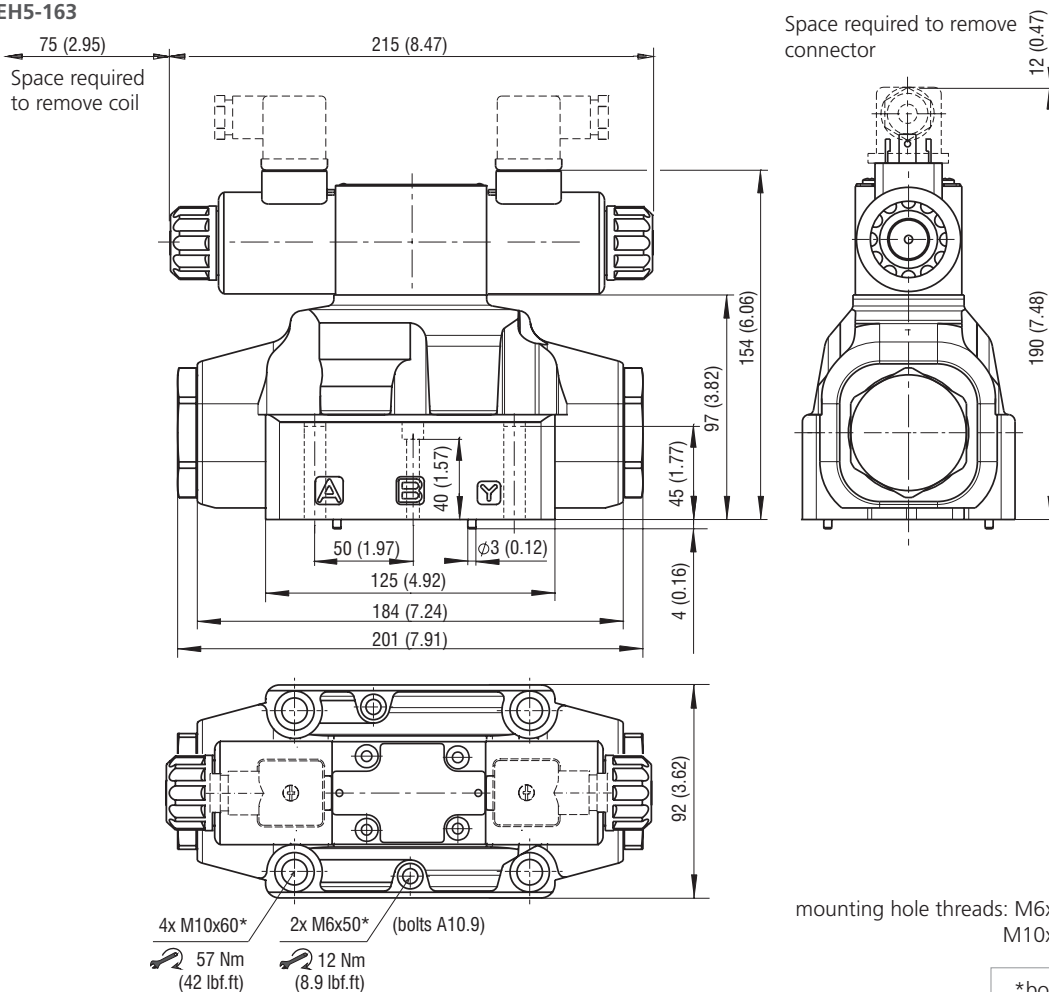


Solenoid operated distributor with pilot valve in the configuration 3H11

It is possible to deliver the solenoid operated distributor with the pilot valve in configuration 3H11 (all the ports at the outlet). This configuration is used with external piloting in order to allow the unloading of the piloting line when the solenoid operated valve is in the rest position. With this option, the piloting is necessarily external.

Dimensions in millimeters (inches)

RNEH5-162, RNEH5-163



mounting hole threads: M6x12 (1/2-13 UNC)
M10x20 (1/2-13 UNC)

*bolts not supplied