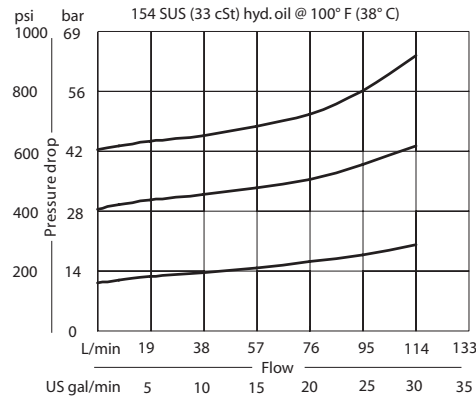


**OPERATION**

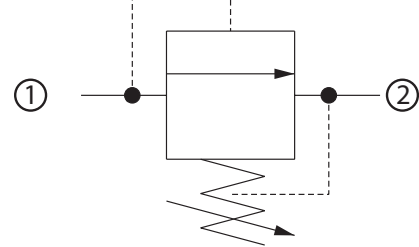
This is a direct acting spool-type relief valve that relieves from 1 to 2.

**SPECIFICATIONS**

Theoretical performance



Schematic



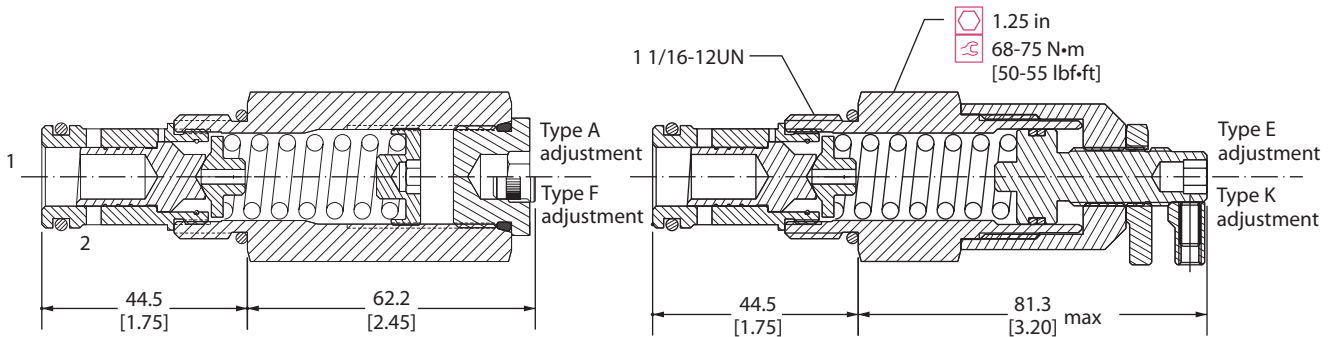
Specifications

<b>Rated pressure</b>	40 bar [600 psi]
<b>Rated flow</b>	75 l/min [20 US gal/min]
<b>Leakage</b>	82 cm <sup>3</sup> /min [5 in <sup>3</sup> /min] @ 80% of pressure setting
<b>Weight</b>	0.41 kg [0.90 lb]
<b>Cavity</b>	CP12-2

**DIMENSIONS**

mm [in]

Cross-sectional view



**ORDERING INFORMATION**

CP211-1-B-10S-A-C-040

