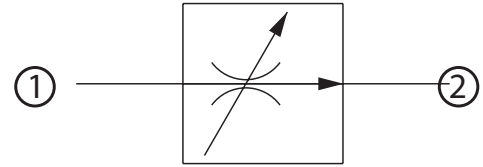


**OPERATION**

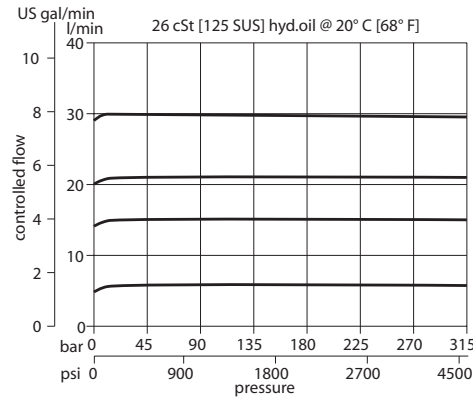
This valve is a limited adjustment, pressure compensated, restrictive-type flow control valve.

**Schematic**



**SPECIFICATIONS**

**Theoretical performance**



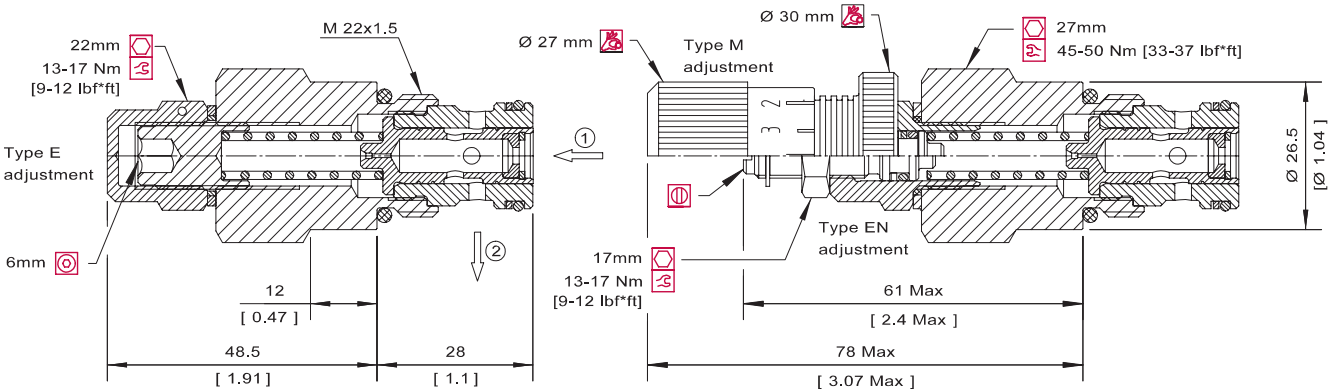
**Specifications**

|                           |                            |
|---------------------------|----------------------------|
| <b>Rated pressure</b>     | 315 bar [4500 psi]         |
| <b>Max regulated flow</b> | 30 l/min<br>[8 US gal/min] |
| <b>Weight</b>             | 0.19 kg [0.42 lb]          |
| <b>Cavity</b>             | NCS06/2                    |

**DIMENSIONS**

**Cross-sectional view**

mm in



**ORDERING INFORMATION**

**VR 06 - EN-1.25 - 00 - V**

**Adjustment**

- E = Internal screw
- EN = External screw
- M = Handwheel

**Orifice size**

| mm   | L/min | [US gal/m] |
|------|-------|------------|
| 1.25 | 1-4   | [0.3-1.1]  |
| 2.00 | 3-10  | [0.8-2.6]  |
| 3.00 | 6-20  | [1.6-5.3]  |
| 3.50 | 10-30 | [2.6-7.9]  |

other orifices available  
consult factory

**Seals**

- V = Viton
- Omit = Buna-N

**Seal kit**

- 230000380
- 230000060

**Housing and ports**

- 00 = No Housing
- DG3/8 = AL, 3/8 BSP
- DG1/2 = AL, 1/2 BSP
- DG6S = AL, #6 SAE
- DG8S = AL, #8 SAE
- Other housings available

**Housing P/N**

- No Housing
- NCS06/2-DG-3/8
- NCS06/2-DG-1/2
- NCS06/2-DG-6S
- NCS06/2-DG-8S