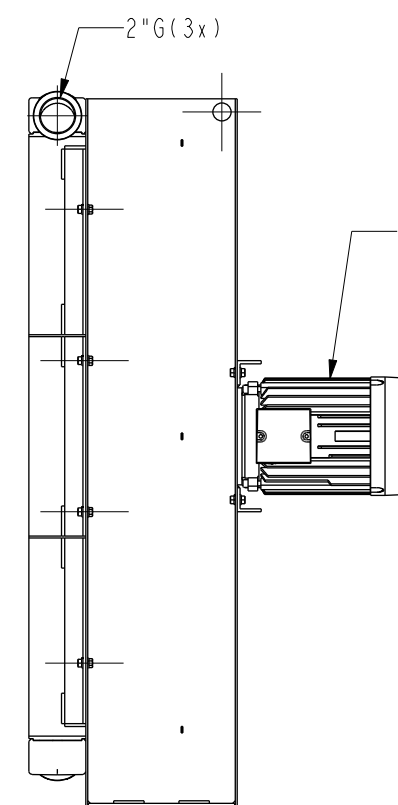
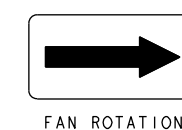


Direction of Air-flow  
→



<b>HAINZL</b> <small>TECHNOLOGIE FÜR HOCHDRUCKANWENDUNGEN</small>				
PROD. NO:	<input type="text"/>	DATE:	<input type="text"/>	
ID. NO:	1625578			
TEST PRES: (bar)	FUEL: <input type="text"/>	OIL: <input type="text"/>	AIR: <input type="text"/>	WATER: <input type="text"/>
MAX PRES: (bar)	-	30	-	-
MAX TEMP: (°C)	-	20	-	-
Made by Nissens				

Product in accordance with the following directives:  
PED 97/23/Ec Article 3, part 3



Surface treatment	Alu Grey, Steel Black	Mass	138 [kg]
Pressure testing	According to random sampling	Tolerance class	ISO 2768-v

Revision change			Special Characteristics	
-	-	-	Ⓢ	
Revision date	Revised by	Project ID	Status	
Creation date	Created by	Customer	In Work	
24.10.16	ADA	Hainzl	Part no.	
NISSENS A/S DK - 8700 HORSENS TEL: (+45) 7626 2626 WWW.NISSENS.COM			204494	
Description			Drw no.	
HP 100-1-400V-6P-50Hz			080468-00	
Format			Scale	
A3			2:25	

