

**OPERATION**

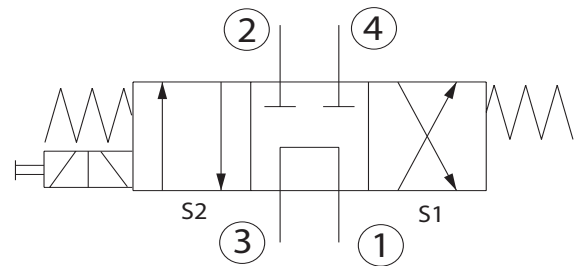
Solenoid Valve, Spool Type, 3-Position, 4-Way, High Flow (15-Size). When de-energized, the SV15-34-04 allows flow from port 3 to port 1, while ports 2 and 4 are blocked. When coil S1 is energized, the spool shifts to allow flow from port 3 to port 2, and from port 4 to 1. When coil S2 is energized, the spool shifts to allow flow from port 3 to port 4, and from port 2 to port 1. Follow the "Operating Envelope" limits to ensure shifting of the valve during operation. This valve is a direct replacement for EDH 12/4308. The SV15-34-04 comes standard with a one-direction, push-pin manual override. When the manual override is pushed, the spool shifts following the logic of energizing S2.

**APPLICATIONS**

These valves are primarily used in mobile and industrial applications for controlling the direction of the flow in a circuit. Spool valves will have some leakage due to spool clearance, so if your application requires no leakage at the working port(s), apply a low leakage poppet valve(s), like PO check valve, counterbalance valve, etc., in addition to this solenoid valve. This valve can operate with an inlet pressure of 315 bar on port 3 for 300,000 cycles. Port 1 may be pressurized to 150 bar, but is not intended for use as inlet (Tank only).



**SCHEMATIC**

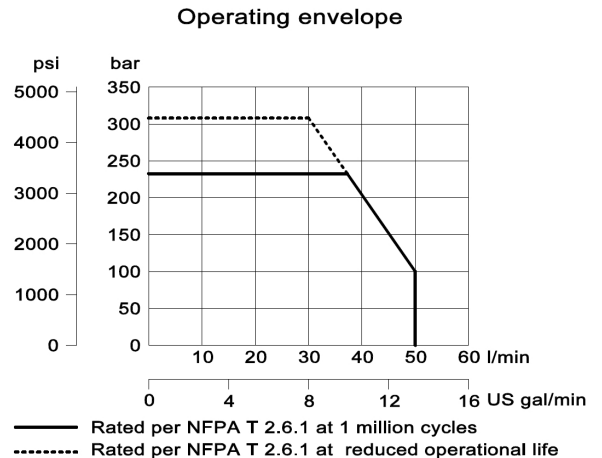
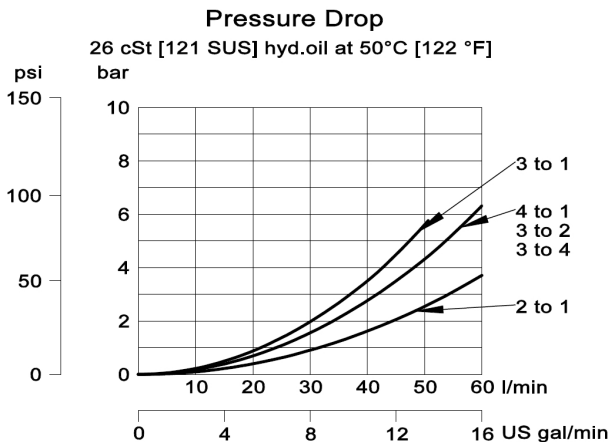


**SPECIFICATIONS**

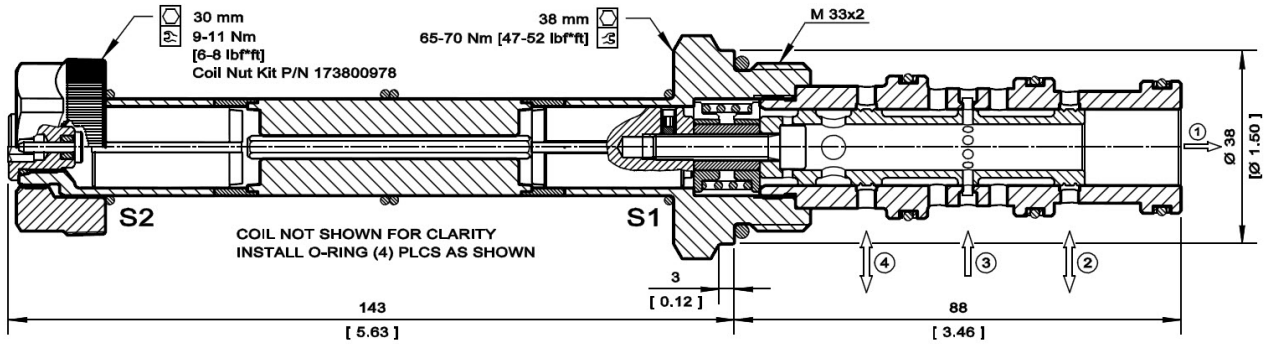
Rated Pressure*	210 bar [3045 psi]**
Maximum Rated Flow at 7 bar [100 psi]	50 l/min [13 US gal/min]
Weight including coil	1.400 kg [3.09 lbs]
Cavity	NCS 12/4
Coil	M19-33W
Diode (Optional)	Unidirectional

\* Rated Pressure based on NFPA fatigue test standards (at 1 Million Cycles).  
 \*\* See 315 bar pressure rating note on page 10.

**PERFORMANCE CURVES**

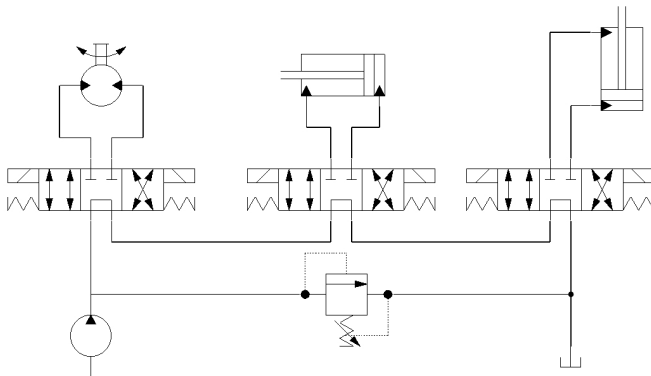


**DIMENSIONS**

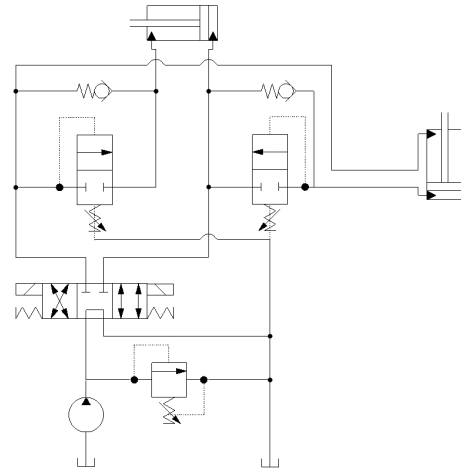


**EXAMPLE CIRCUITS**

Series Circuit - Open Center



Sequencing Circuit



**ORDERING INFORMATION**

**SV15 - 34 - 04 - 12D - DE - B - 00**

Solenoid Valve, Spool Type, 15 Size Cavity

34: 3 Position, 4 Way

04: Schematic type

Coil Voltage	Standard Coil Code
No Coil, with nut*	00
10 VDC	10D
12 VDC	12D
20 VDC	20D
24 VDC	24D
110 VAC**	110A
220 VAC**	220A

\* Standard coil – plastic nut and O-rings  
 \*\* External Rectifier Needed – DN termination only

Code	Body and Ports	Body Nomenclature
00	Cartridge Only	No Body
85	#8 SAE, AL	NCS 12/4-L-85
12S	#12 SAE, AL	NCS 12/4-L-12S
4B	1/2 BSP, AL	NCS 12/4-L-1/2
6B	3/4 BSP, AL	NCS 12/4-L-3/4

Seal Code	Material	Seal Kits
B	Buna-N	11115884
V	Viton	11115885

Coil Termination	Standard Coil Code	IP Rating
No Coil	00	-
Amp Junior	AJ	IP67
Amp Junior with Diode	AJD	IP67
Deutsch	DE	IP67
Deutsch with Diode	DED	IP67
Flying Leads	FL	IP65
DIN 46650	DN	IP65