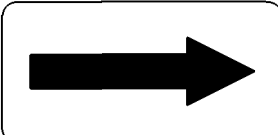


Oil Inlet

Oil Outlet



FAN ROTATION

Nissens Nissens Cooling Solution
 TEL. 704-987-0088
 FAX. 704-987-0087

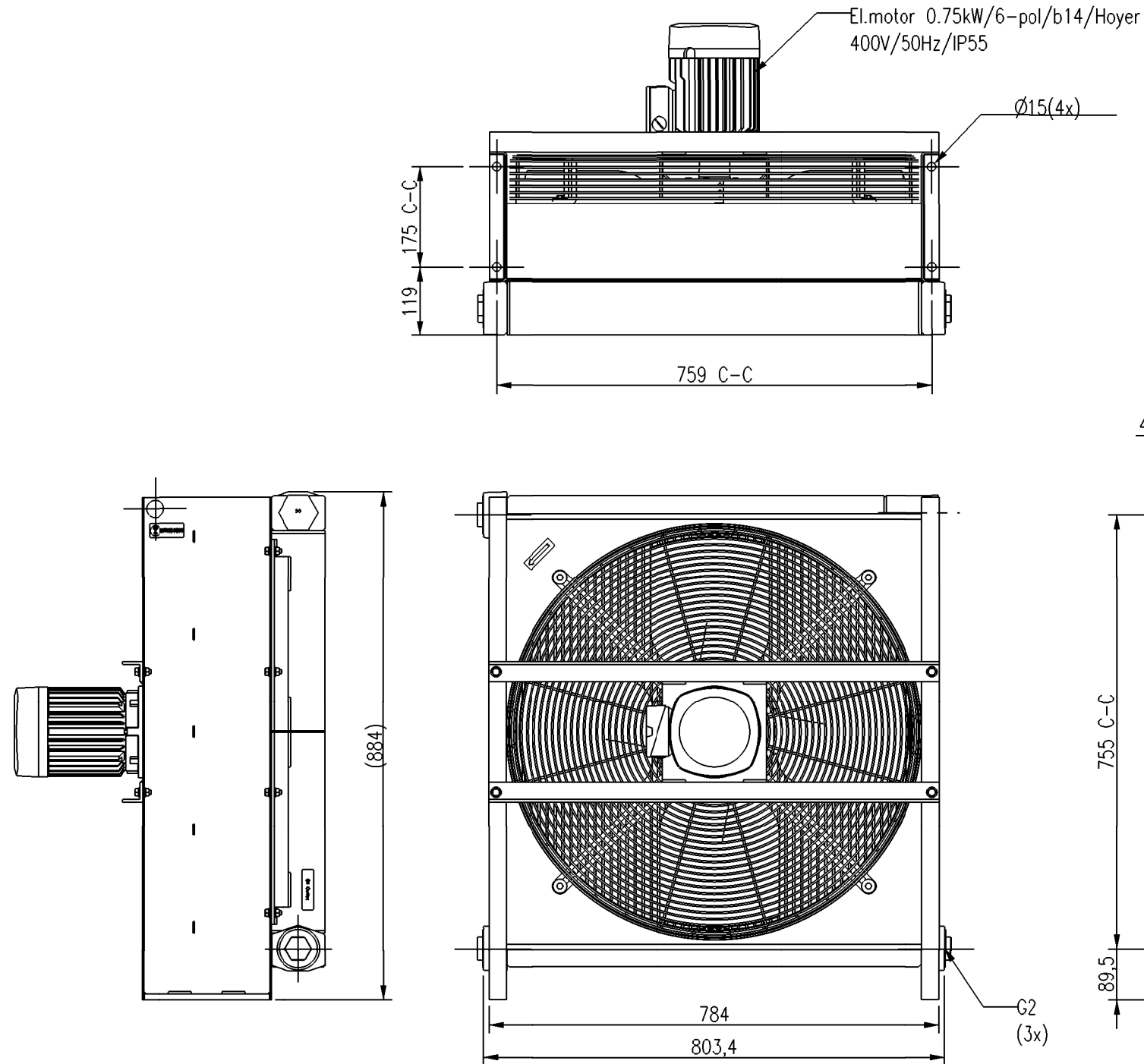
Prod. no: DATE:

Customer ID. NO.:

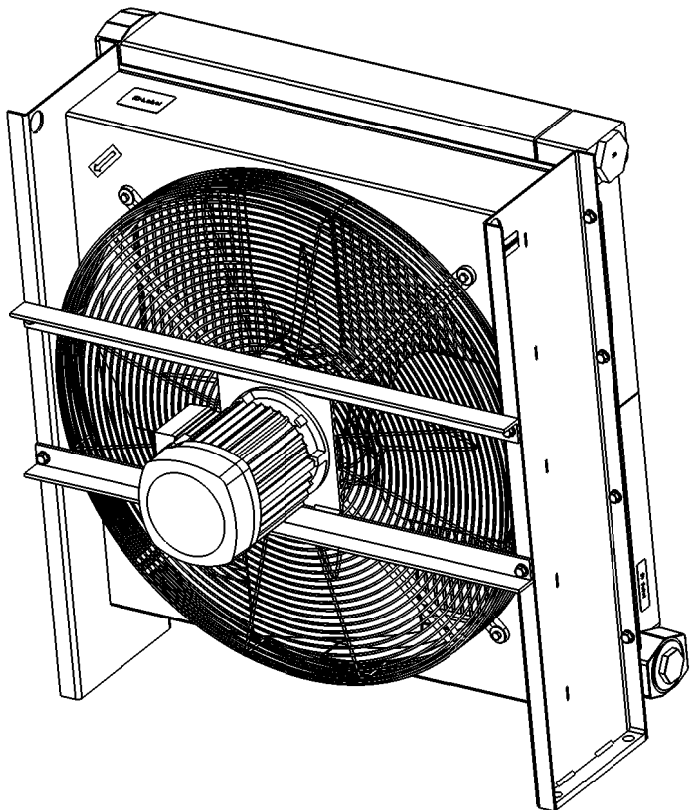
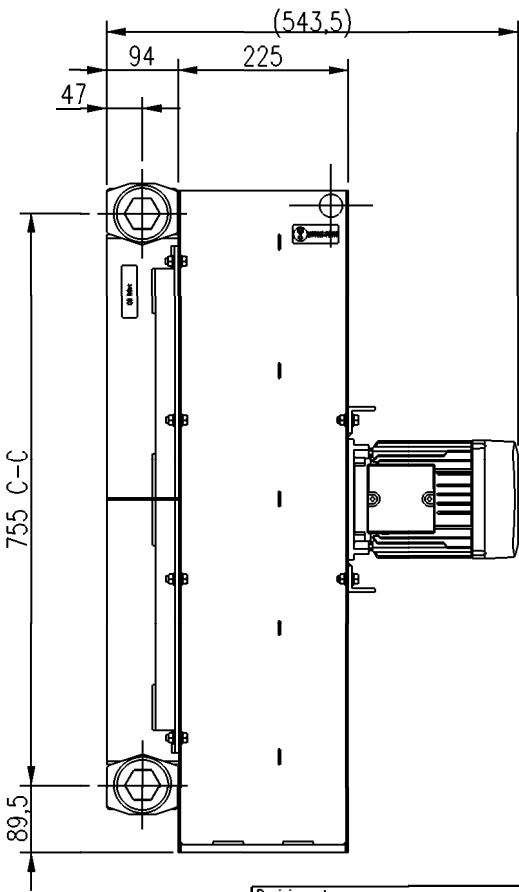
Nissens part no.:

	OIL	AIR	WATER
TEST PRES: psi(bar)	- 30	-	-
MAX PRES: psi(bar)	- 20	-	-
MIN/MAX TEMP: °F(°C)	- 125	-	-

Made by Nissens



Direction of Air-flow



Product in accordance with the following directives:
 PED 97/23/Ec Article 3, part 3

Surface treatment	Mass
- Alu Grey, Steel Black	86 [kg]
Pressure testing	Tolerance class
According to random sampling	ISO 2768-v

Revision change			Special Characteristics	
-			Ⓢ	
Revision date	Revised by	Project ID	Status	
-	-	-	In Work	
Creation date	Created by	Customer	Part no.	
20.11.14	IVJ	-	270707	
NISSENS A/S DK - 8700 HORSSENS TEL: (+45) 7626 2626 WWW.NISSENS.COM		Description		Drw no.
Nissens		HP070-1/WL/R3/BSP/AC50/400-6/S		064137-00
A3		Scale		
		1:10		