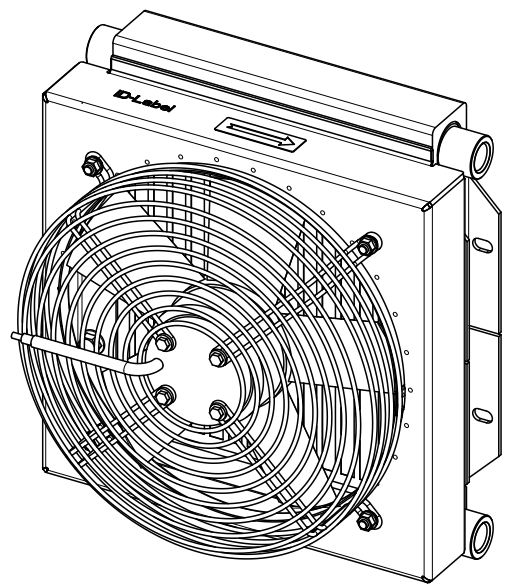
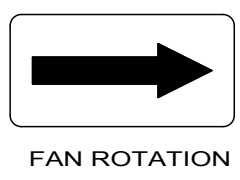
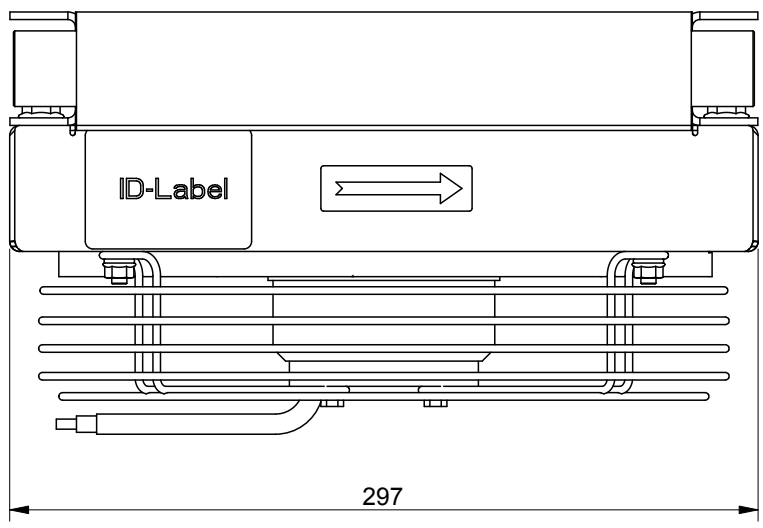
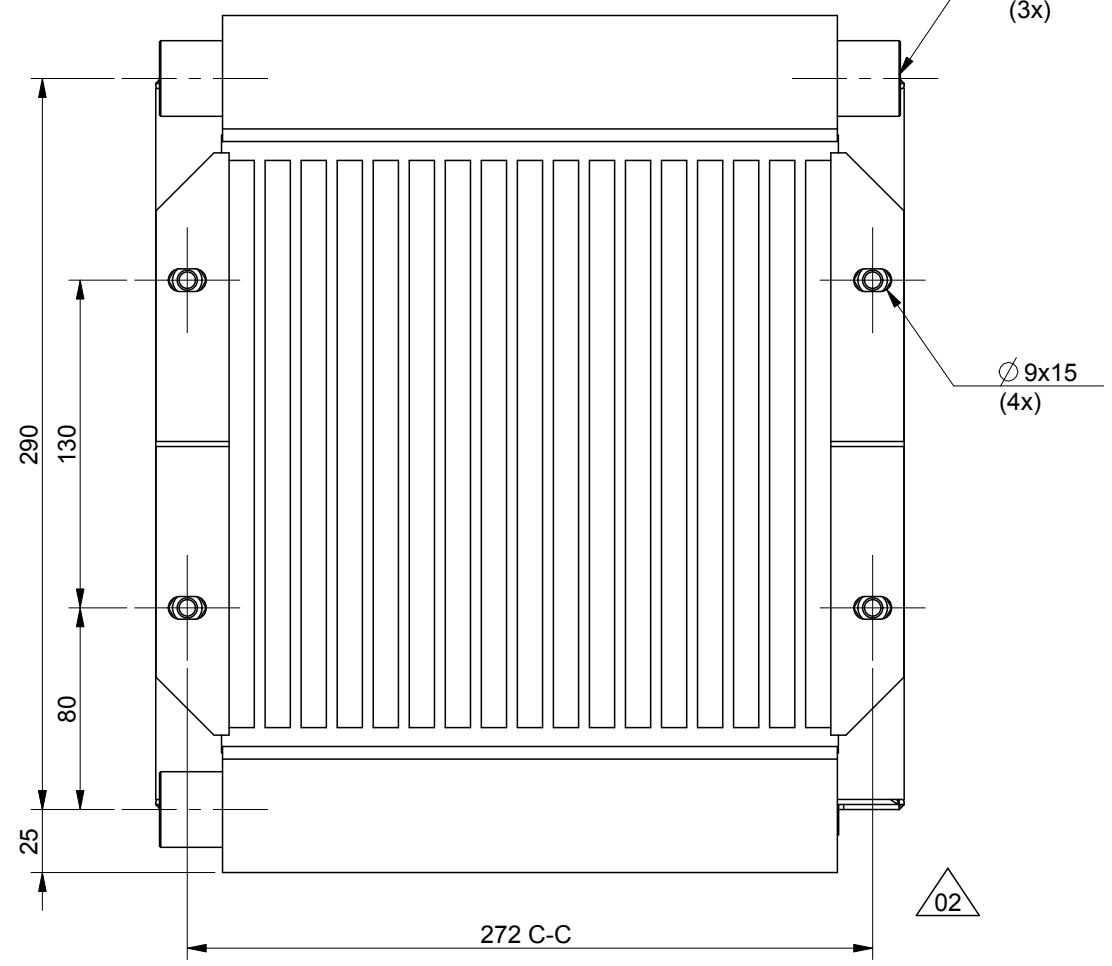


02  
 MOTOR 0.100 kW  
 400/460 VAC; 50/60Hz: ISO F  
 2500 Rpm FAN Ø 251  
 480 V/60Hz at maximum 60 C°, UL/CSA approved



Product in accordance with the following directives:  
 PED 97/23/Ec Article 3, part 3

|                              |                 |
|------------------------------|-----------------|
| Surface treatment            | Mass            |
| Alu Grey, Steel Black -      | 11 [kg]         |
| Pressure testing             | Tolerance class |
| According to random sampling | ISO 2768-c      |

**HAINZL**  
 INDUSTRIESYSTEME

PROD.NO:  DATE:

ID.NO:

|                  |      |      |        |
|------------------|------|------|--------|
| FUEL:            | OIL: | AIR: | WATER: |
| TEST PRES: (bar) | 30   | -    | -      |
| MAX PRES: (bar)  | 20   | -    | -      |
| MAX TEMP: (°C)   | -    | -    | -      |

Made by Nissens

Revision change  
 02: Description of motor changed, 3D+drawing updated, view added; ECR 2016-028;

|   |            |                         |                   |
|---|------------|-------------------------|-------------------|
| 1"G -> 1/2"G;   |            | Special Characteristics |                   |
| Revision date   | Revised by | Project ID              | Status            |
| 14.03.16  | IVJ        | 275091 - HP5-1/400V     | Production Change |
| Creation date   | Created by | Customer                | Part no.          |
| 05.01.10  | JEL        | HAINZL INDUSTRIESYSTEME | 202388            |
| NISSENS A/S<br>DK - 8700 HORSENS<br>TEL: (+45) 7626 2626<br>WWW.NISSENS.COM |            | Description             | Draw no.          |
| <b>Nissens</b>  |            | Cooler system block     | 035427-02         |
| Format  |            | Scale                   |                   |
| A3  |            | 1:3                     |                   |