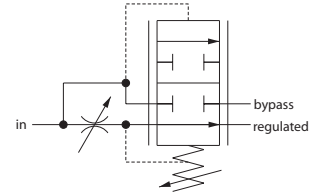


**OPERATION**

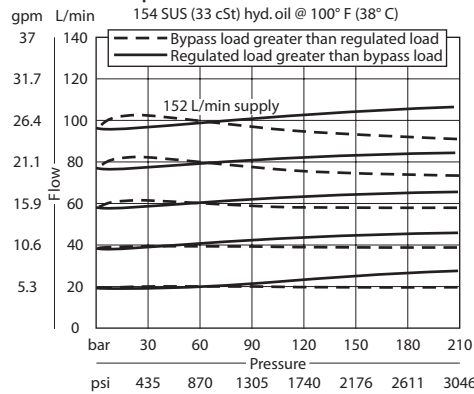
This valve is an adjustable, priority-type, pressure compensated flow control valve.

**Schematic**



**SPECIFICATIONS**

**Theoretical performance**



P102 682

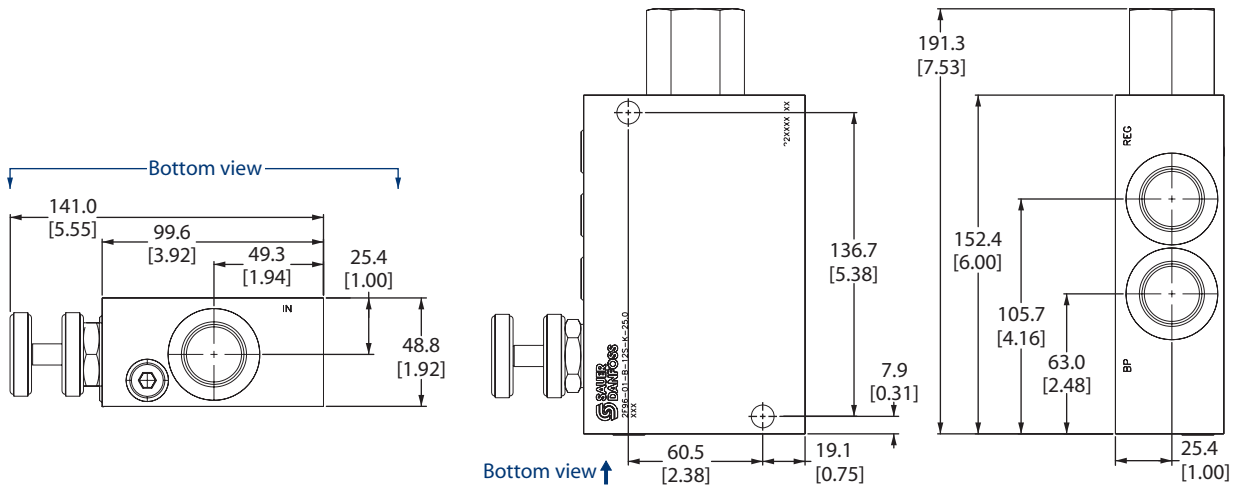
**Specifications**

Rated pressure	210 bar 3000 psi
Max regulated flow	95 l/min 25 US gal/min
Max inlet flow	150 l/min 40 US gal/min
Weight	1.77 kg 3.90 lb
Cavity	none

**DIMENSIONS**

mm in

**Cross-sectional view**



**ORDERING INFORMATION**

2F96-01-B-12S-E-25

**Adjustment options**  
 E = External adjustment  
 K = Knob adjustment

**Body and ports**  
 12S = Aluminum, #12 SAE

**Seals**

B = Buna-N  
 V = Viton

Seal kits  
 Consult Factory  
 Consult Factory

**Adjustment range**  
 Code = 0-25 gpm