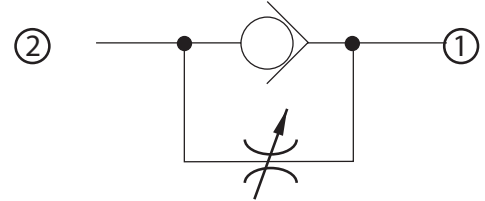


OPERATION

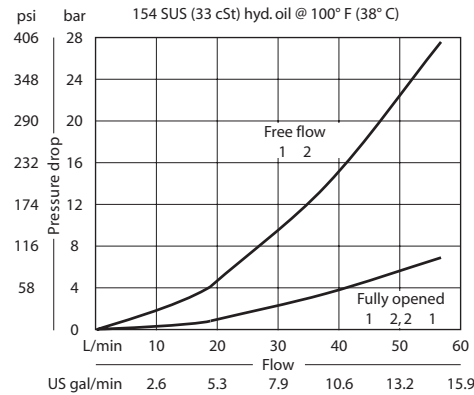
This valve is an adjustable orifice with free reverse flow.

Schematic



SPECIFICATIONS

Theoretical performance



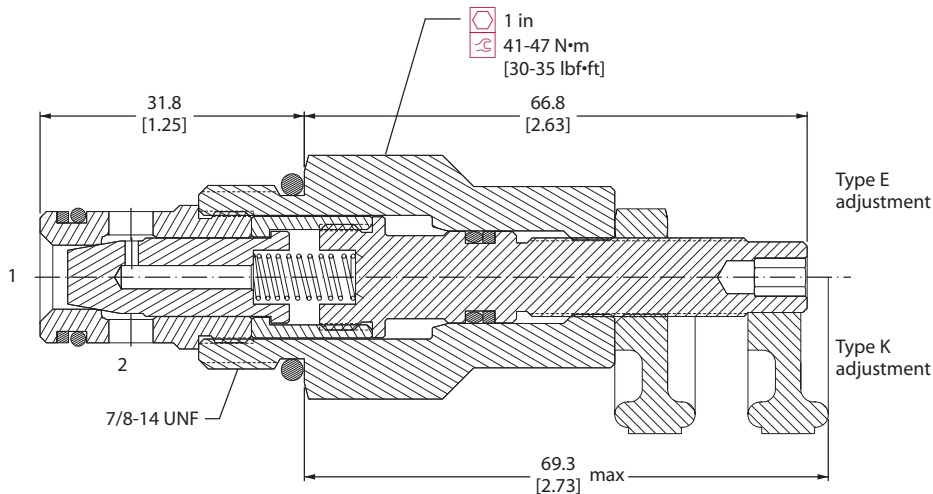
Specifications

Rated pressure	350 bar [5075 psi]
Rated flow at 7 bar [100 psi]	55 l/min [15 US gal/min]
Leakage	30 drops/min @ Rated pressure
Weight	0.18 kg [0.40 lb]
Cavity	SDC10-2

DIMENSIONS

mm in

Cross-sectional view



ORDERING INFORMATION

CP610 - 7 - B - 8S - K

Seals

B = Buna-N
 V = Viton

Seal kit
 120015
 120016

Housing and ports

0 = No Housing
 DG3B = AL, 3/8 BSP
 DG4B = AL, 1/2 BSP
 6S = AL, #6 SAE
 8S = AL, #8 SAE
 Other housings available

Housing P/N

No Housing
 SDC10-2-DG-3B
 SDC10-2-DG-4B
 CP10-2-6S
 CP10-2-8S

Adjustment option

E = External
 K = Knob