

OPERATION

This is normally-closed, poppet-style 10-size solenoid valve. When de-energized, the valve block in both directions. When energized, the valve's poppet is opens on its seat, allowing flow from 2 to 1 or 1 to 2.

APPLICATIONS

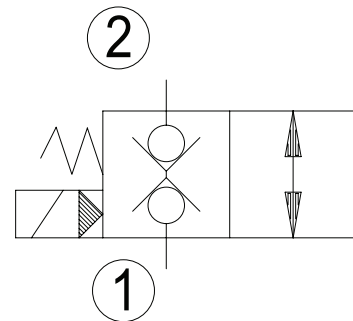
The HSVP10-CDB is designed for high pressure, low leakage applications and can be used to control the advance and retract of single acting and double acting cylinders. The valve can also be used to lock pressure in a group of cylinders.

SPECIFICATIONS

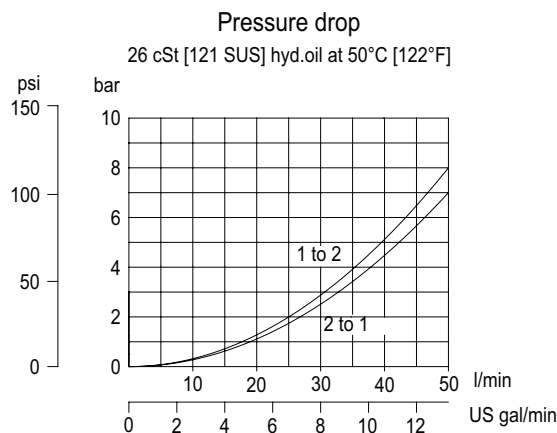
Rated pressure*	350 bar [5075 psi]
Rated flow at 7 bar [100 psi]	50 l/min [13.2 US gal/min]
Leakage	6 drops/min @ Rated Pressure
Weight	0.42 kg [0.93 lb]
Cavity	SDC10-2
Standard Coil	H16 29Watt

*Rated Pressure based on NFPA fatigue test standard (at 1 Million Cycles)

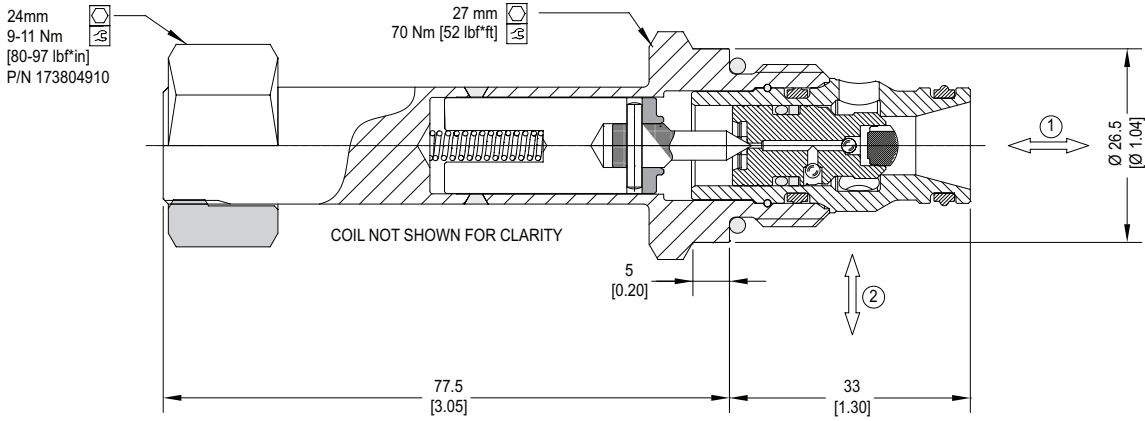
SCHEMATIC



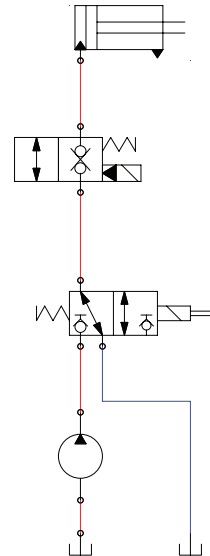
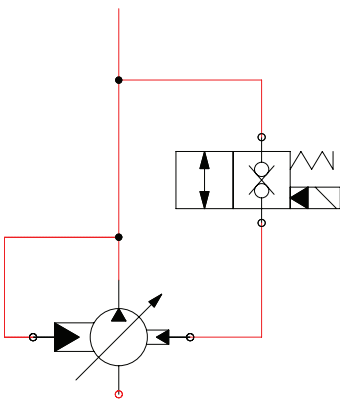
PERFORMANCE CURVES



DIMENSIONS



EXAMPLE CIRCUITS



ORDERING INFORMATION

HSVP10 - CDB - H12D - DE - XC - P - 00

High Pressure Solenoid Valve,
 Poppet type, 10 Size cavity
 CDB: Normally Closed,
 Double Blocking, Pull Type

Coil Voltage

Code	Description
00	No Coil
H12D	12 VDC
H24D	24 VDC

Coil Termination

Code	Description	IP Rating
00	No Coil	-
FL	Flying Lead	IP 69k
DE	Deutsch	IP 69k
AS	AMP SuperSeal 1.5 and Metri-Pack 150 type 1	IP 67
ASDB	AMP Super Seal with Bi-directional Diode	IP 67
DEDB	Deutsch with Bi-directional Diode	IP 69k
FLDB	Flying Lead with Bi-directional Diode	IP 69k

Bodies

Code	Port & Material	Body Nomenclature
00	Cartridge only	No Body
S3B	3/8 BSP, Ductile	SDC10-2-S3B
S4B	1/2 BSP, Ductile	SDC10-2-S4B
S6S	#6 SAE, Ductile	SDC10-2-S6S
S8S	#8 SAE, Ductile	SDC10-2-S8S

*** Aluminum bodies available for lower pressure applications. Please consult factory for details.

Seal Option

Code	Seal Material	Seal kit
P	Polyurethane Single Seal	11132135

Manual Override

Code	Description
XC	NO Manual Override