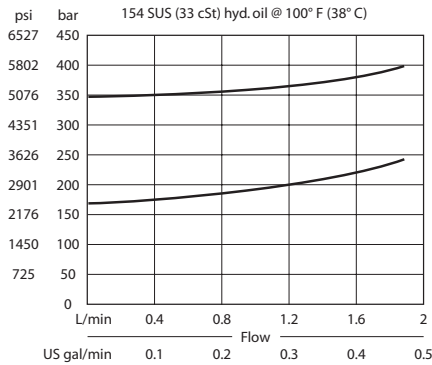


OPERATION

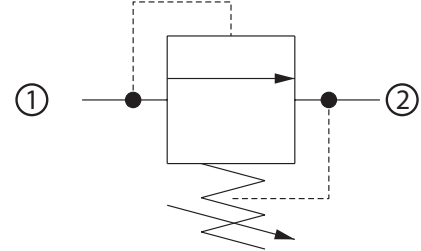
This is a direct-acting poppet type thermal relief valve that relieves from 1 to 2.

SPECIFICATIONS

Theoretical performance



Schematic



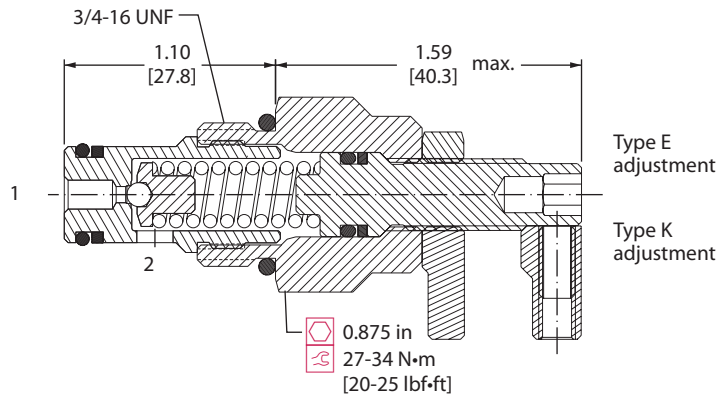
Specifications

Rated pressure	415 bar [6000 psi]
Rated flow	1.1 l/min [0.3 US gal/min]
Leakage	10 drops/min @ 80% of pressure setting
Weight	0.23 kg [0.50 lb]
Cavity	SDC08-2

DIMENSIONS

mm [in]

Cross-sectional view



ORDERING INFORMATION

CP208-4-B-4S-E-C-300

Seals	Seal kits	Crack pressure
B = Buna-N	120221	Code x 10 = psi
V = Viton	120222	Example: 300 = 3000 psi
Housing and ports	Housing P/N	Adjustment ranges
0 = No Housing	No Housing	bar psi
DG2B = Al, 1/4 BSP	SDC08-2-DG-2B	A = 2-103 [30-1500]
DG3B = Al, 3/8 BSP	SDC08-2-DG-3B	Standard 207 [1000]
4S = Al, #4 SAE	CP08-2-4S	B = 7-207 [100-3000]
6S = Al, #6 SAE	CP08-2-6S	Standard 103 [1500]
Other housings available		C = 69-414 [1000-6000]
		Standard 207 [3000]
		Adjustment options
		E = External
		K = Knob