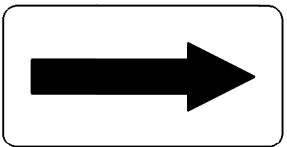


1 2 3 4 5 6 7 8 9 10 11 12 13 14 15 16

A
B
C
D
E
F
G
H

A
B
C
D
E
F
G
H

Oil Inlet



Oil Outlet

FAN ROTATION

Nissens Nissens Cooling Solution
 TEL. 704-987-0088
 FAX. 704-987-0087

Prod. no: DATE:

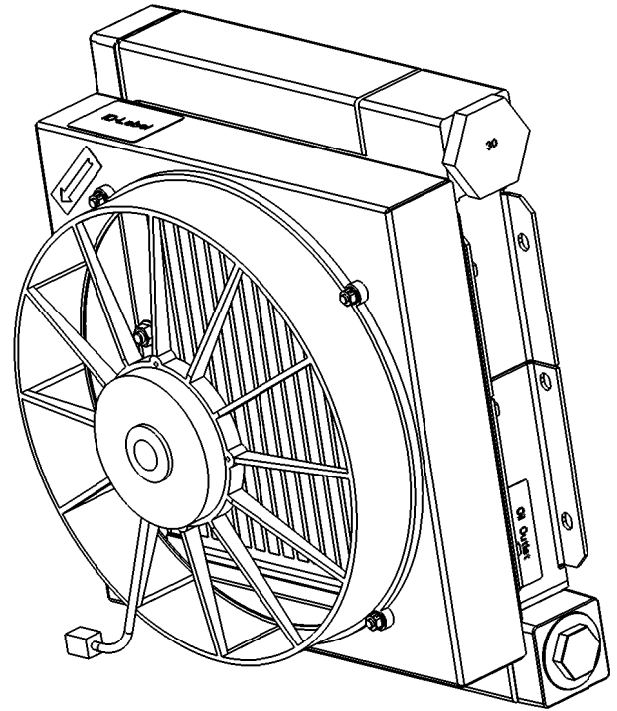
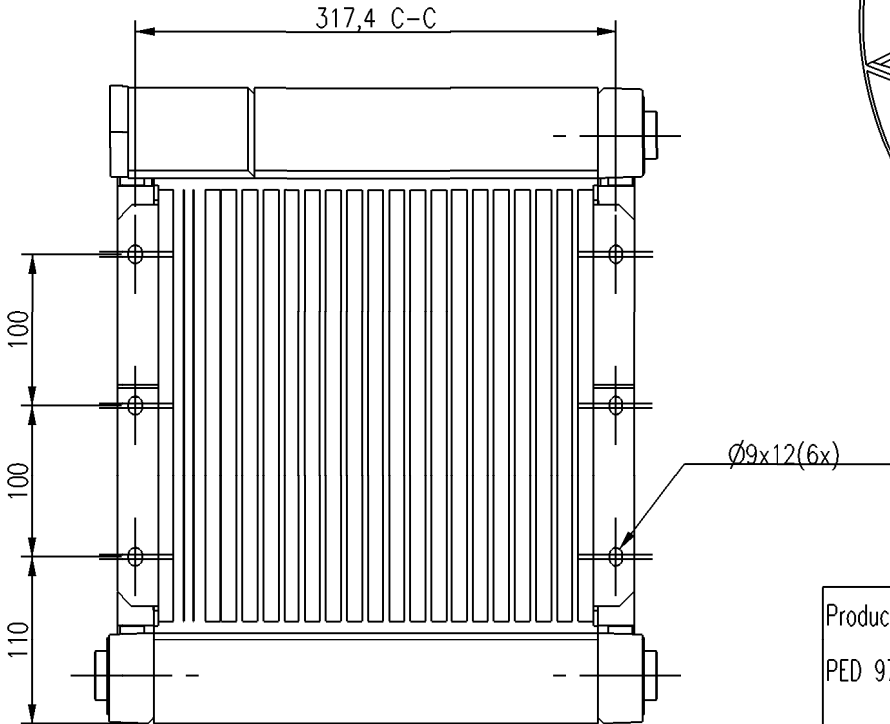
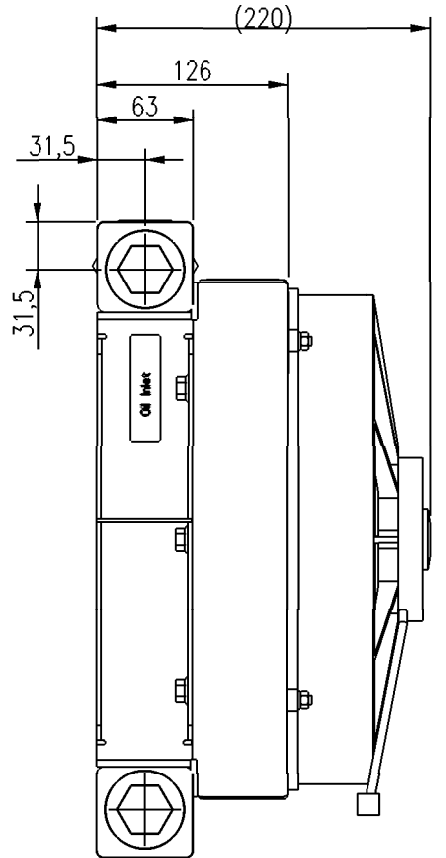
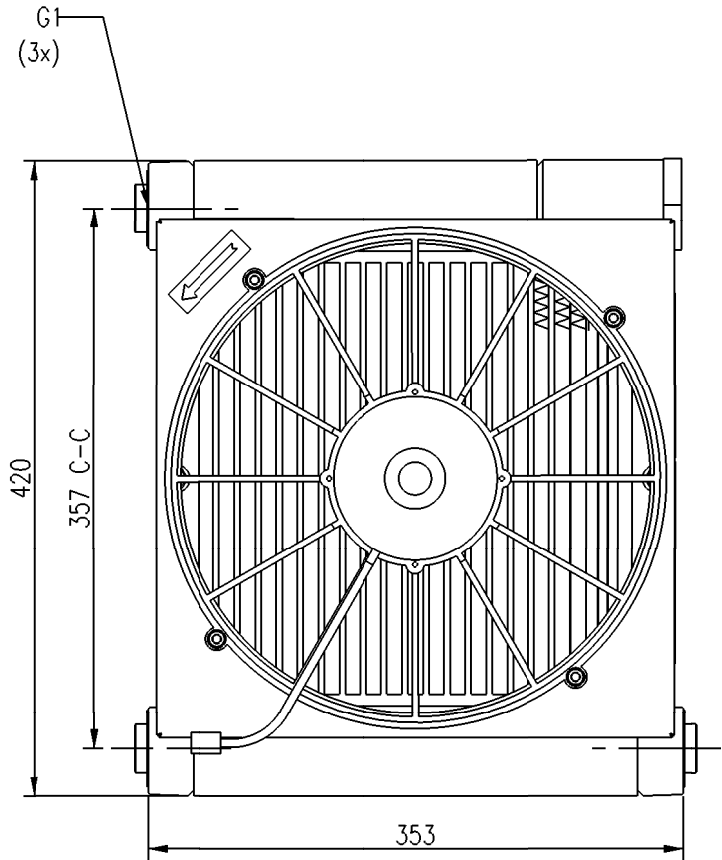
Customer ID. NO.:

Nissens part no.:

TEST PRES: psi(bar)	-	OIL: 30	AIR: -	WATER: -
MAX PRES: psi(bar)	-	20	-	-
MIN/MAX TEMP: °F(°C)	-	125	-	-

Made by Nissens

Direction of Air-flow



Product in accordance with the following directives:
 PED 97/23/Ec Article 3, part 3

Surface treatment	Mass
Alu Grey, Steel Black -	13 [kg]
Pressure testing	Tolerance class
According to random sampling	ISO 2768-v

Revision change			Special Characteristics	
-			Ⓢ	
Revision date	Revised by	Project ID	Status	
-	-	-	In Work	
Creation date	Created by	Customer	Part no.	
02.10.14	IVJ	-	270000	
NISSENS A/S DK - 8700 HORSSENS TEL: (+45) 7626 2626 WWW.NISSENS.COM		Description		Draw no.
Nissens		HP010-1/WL/R3/BSP/DC--/00012/S		062462-00
Format A3		Scale 1:4		

CONFIDENTIAL INFORMATION
 This document is the property of Nissens A/S and it may not be distributed without the prior written consent by Nissens A/S

1 2 3 4 5 6 7 8 9 10 11 12 13 14 15 16