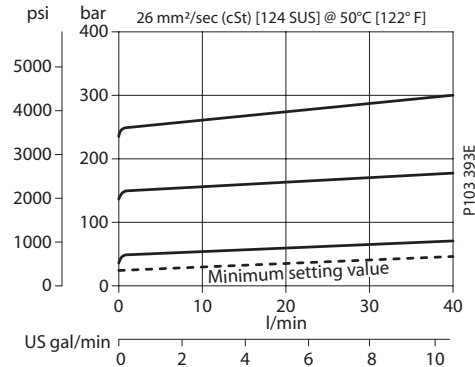


**OPERATION**

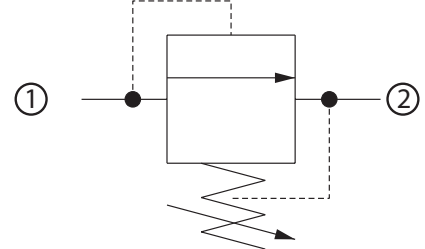
This is a direct-acting, poppet-type relief valve that relieves from 1 to 2. It features a highly damped poppet for smooth and stable response.

**SPECIFICATIONS**

Theoretical performance



Schematic

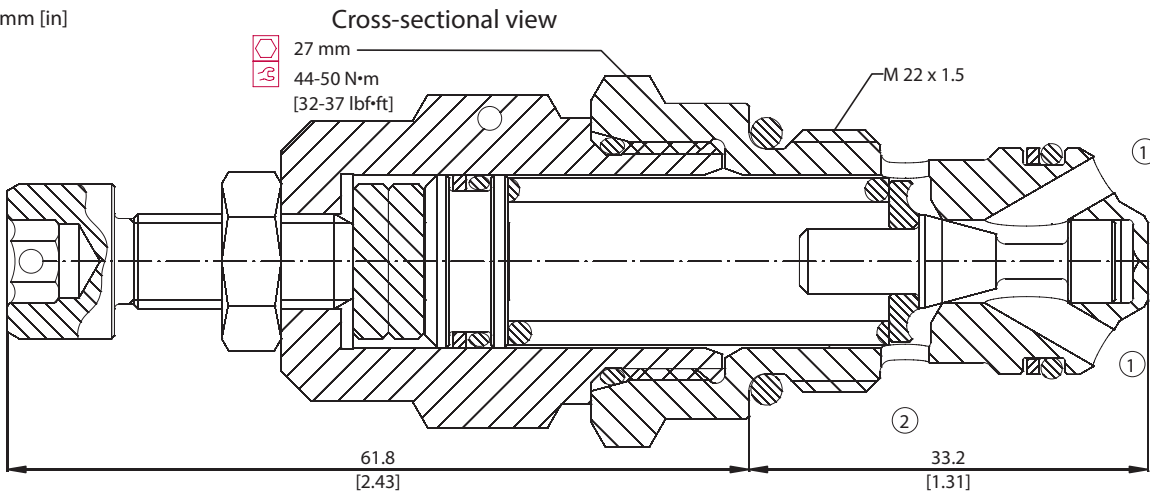


Specifications

<b>Rated pressure</b>	315 bar [4500 psi]
<b>Rated flow</b>	40 l/min [11 US gal/min]
<b>Weight</b>	0.20 kg [0.44 lb]
<b>Cavity</b>	NCS06/2

**DIMENSIONS**

mm [in]



**ORDERING INFORMATION**

VEN 06 - M - 1 - DG3/8 - V - XXX

**Type of adjustment**

EN = External screw  
 M = Handwheel

**Setting range**

1 = 20 - 80 bar [290 - 1160 psi]  
 2 = 35 - 160 bar [508 - 2321 psi]  
 3 = 70 - 315 bar [1015 - 4569 psi]

**Seals**

V = Viton seals  
 Omit = Buna-N

Seal kit

230000380  
 230000060

**Housing and ports**

0 = No Housing  
 DG3/8 = AL, 3/8 BSP  
 DG1/2 = AL, 1/2 BSP  
 DG6S = AL, #6 SAE  
 DG8S = AL, #8 SAE  
 Other housings available

**Housing P/N**

No Housing  
 NCS06/2-DG-3/8  
 NCS06/2-DG-1/2  
 NCS06/2-DG-6S  
 NCS06/2-DG-8S

To order this valve with a specific factory setting, contact your Comatrol representative