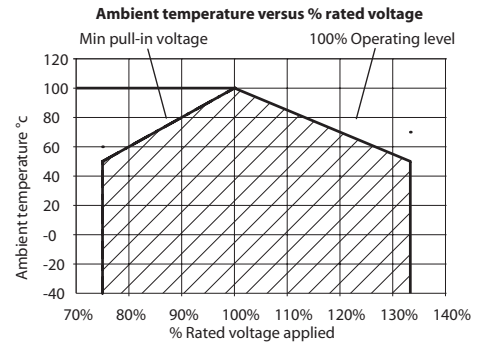


SPECIFICATIONS

- Duty cycle rating: 100% at 133% of rated voltage and 50°C [122°F]
- Magnet wire insulation: (200°C)
- Ambient temperature: -40 to 50 °C [-40 to 112 °F]
- Diodes are available; contact your Comatrol representative.
- Environmental protection:
 IP69K: DE and L connectors
 IP67: AJ, M2, and M3 connectors
 IP65: all other connectors



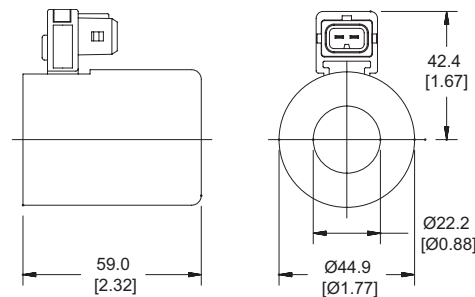
ELECTRICAL SPECIFICATIONS

30 watt coils

| Voltage (V) | 10 VDC | 12 VDC | 20 VDC | 24 VDC |
|-----------------------------------|--------|--------|--------|--------|
| Resistance (Ohms) @ 20 °C [68 °F] | 3.3 | 4.8 | 13 | 19 |
| Current draw (A) @ 20 °C [68 °F] | 3 | 2.5 | 1.5 | 1.25 |
| Color | Green | Gray | Blue | Yellow |

TERMINALS

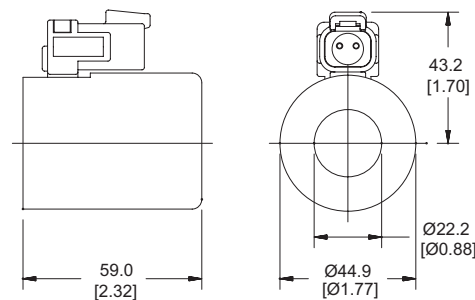
Amp Jr.
 Code AJ



Part numbers

| Voltage (V) | Power (W) | Part Number |
|-------------|-----------|-----------------|
| 10 VDC | 30 | D14E-30W-10D-AJ |
| 12 VDC | 30 | D14E-30W-12D-AJ |
| 20 VDC | 30 | D14E-30W-20D-AJ |
| 24 VDC | 30 | D14E-30W-24D-AJ |

Deutsch
 Code DE

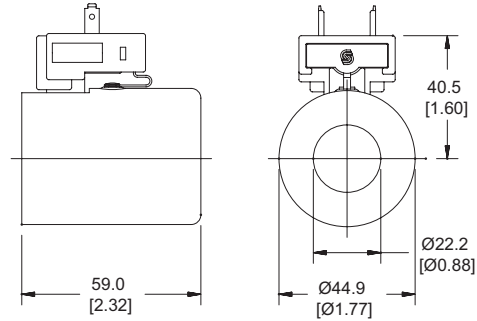


Part numbers

| Voltage (V) | Power (W) | Part Number |
|-------------|-----------|-----------------|
| 10 VDC | 30 | D14E-30W-10D-DE |
| 12 VDC | 30 | D14E-30W-12D-DE |
| 20 VDC | 30 | D14E-30W-20D-DE |
| 24 VDC | 30 | D14E-30W-24D-DE |

TERMINALS
 (continued)

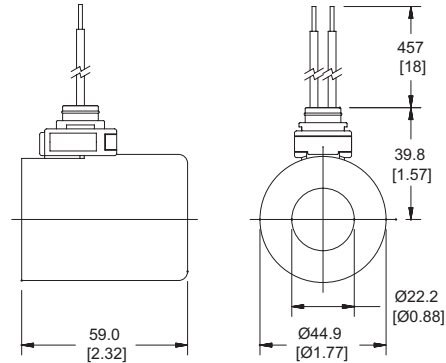
DIN 43650
 Code H



Part numbers

| Voltage (V) | Power (W) | Part Number |
|-------------|-----------|----------------|
| 10 VDC | 30 | D14E-30W-10D-H |
| 12 VDC | 30 | D14E-30W-12D-H |
| 20 VDC | 30 | D14E-30W-20D-H |
| 24 VDC | 30 | D14E-30W-24D-H |

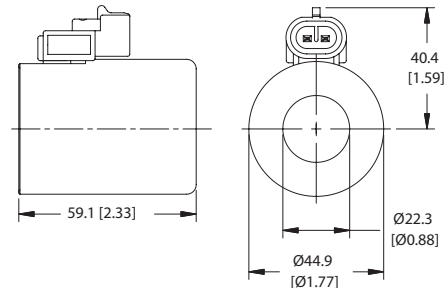
Lead wires
 Code L



Part numbers

| Voltage (V) | Power (W) | Part Number |
|-------------|-----------|----------------|
| 10 VDC | 30 | D14E-30W-10D-L |
| 12 VDC | 30 | D14E-30W-12D-L |
| 20 VDC | 30 | D14E-30W-20D-L |
| 24 VDC | 30 | D14E-30W-24D-L |

Metripak 150, type 1
 Code M2

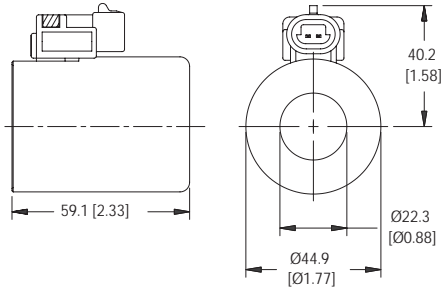


Part numbers

| Voltage (V) | Power (W) | Part Number |
|-------------|-----------|-----------------|
| 10 VDC | 30 | D14E-30W-10D-M2 |
| 12 VDC | 30 | D14E-30W-12D-M2 |
| 20 VDC | 30 | D14E-30W-20D-M2 |
| 24 VDC | 30 | D14E-30W-24D-M2 |

TERMINALS
 (continued)

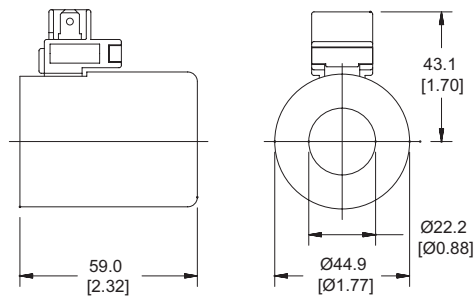
MetriPak 150, Type 2
 Code M3



Part numbers

| Voltage (V) | Power (W) | Part Number |
|-------------|-----------|-----------------|
| 10 VDC | 30 | D14E-30W-10D-M3 |
| 12 VDC | 30 | D14E-30W-12D-M3 |
| 20 VDC | 30 | D14E-30W-20D-M3 |
| 24 VDC | 30 | D14E-30W-24D-M3 |

Dual Spade
 Code S



Part numbers

| Voltage (V) | Power (W) | Part Number |
|-------------|-----------|----------------|
| 10 VDC | 30 | D14E-30W-10D-S |
| 12 VDC | 30 | D14E-30W-12D-S |
| 20 VDC | 30 | D14E-30W-20D-S |
| 24 VDC | 30 | D14E-30W-24D-S |