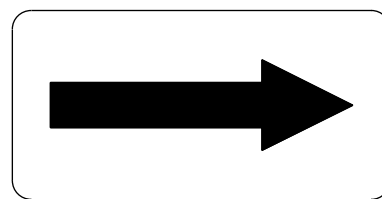
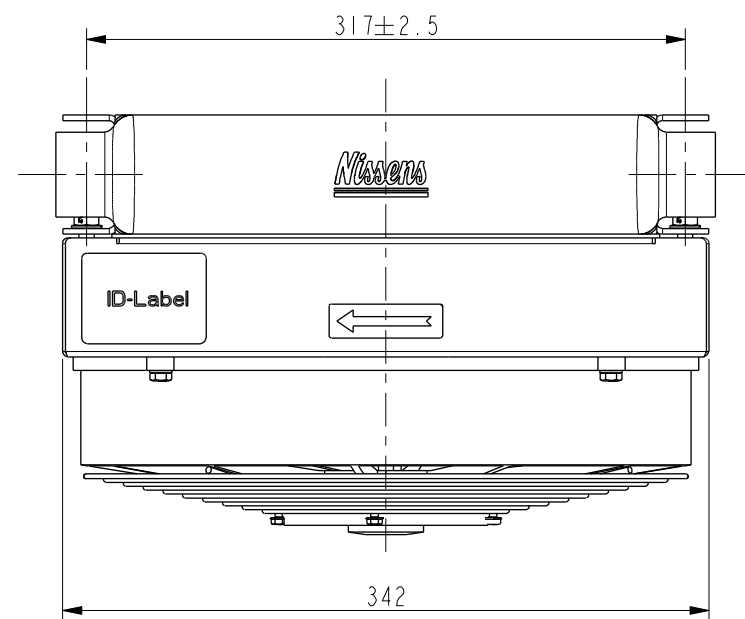
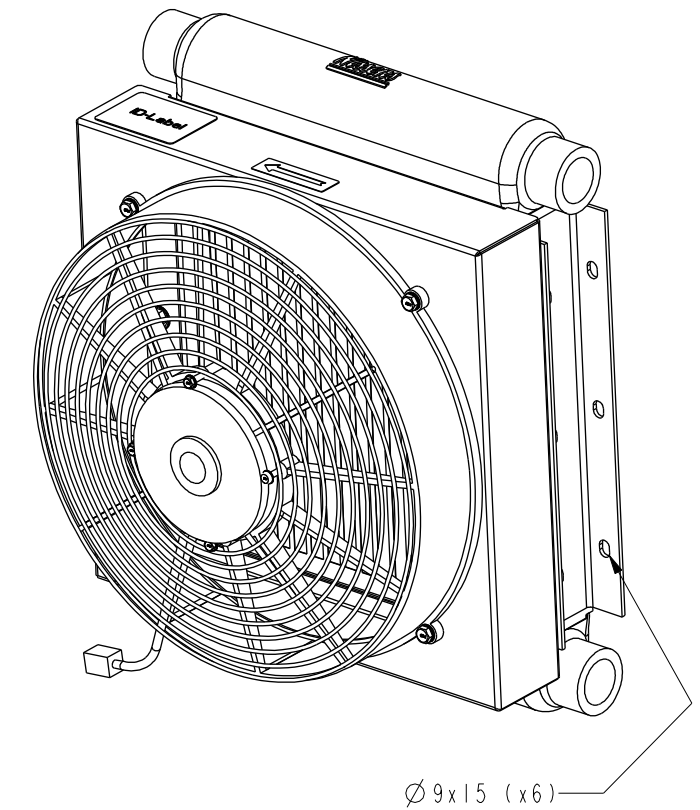


Direction of Air-flow

MOTOR 24V
 FAN ø 305



FAN ROTATION

HAINZL
INDUSTRIESYSTEME

PROD. NO: DATE:

ID. NO:

TEST PRES: (bar)	FUEL: -	OIL: 30	AIR: -	WATER: -
MAX PRES: (bar)	-	20	-	-
MAX TEMP: (°C)	-	-	-	-

Made by Nissens

Product in accordance with the following directives:
 PED 97/23/Ec Article 3, part 3

Surface treatment	Mass
- Alu Grey, Steel Black	12 [kg]
Pressure testing	Tolerance class
According to random sampling	ISO 2768-c

Revision change			Special Characteristics	
-			Ⓢ	
Revision date	Revised by	Project ID	Status	
-	-	1546518 - HP 10-1/24	In Work	
Creation date	Created by	Customer	Part no.	
07.12.09	JEL	HAINZL INDUSTRIESYSTEME	202384	
NISSENS A/S DK - 8700 HORSSENS TEL: (+45) 7626 2626 WWW.NISSENS.COM		Description	Drw no.	
Nissens		Cooler system block	035304-00	
Format A3		Scale 1:4		