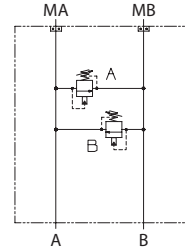


OPERATION

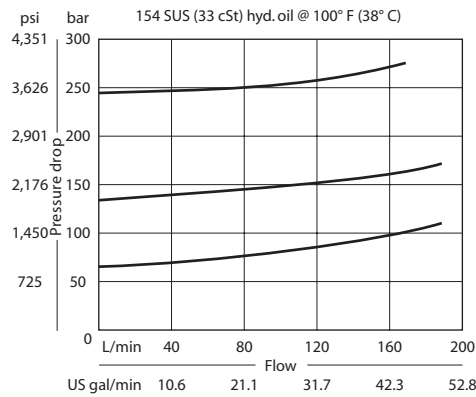
This is a dual cross-port relief HIC that mounts to OMT motors with BSP porting.

Schematic



SPECIFICATIONS

Theoretical performance



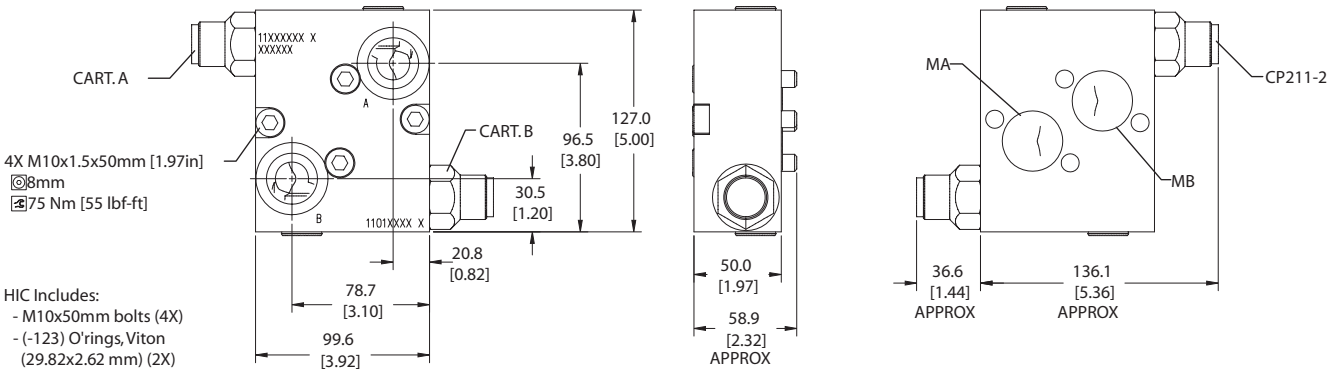
Specifications

Rated pressure	210 bar [3045 psi]
Rated flow at 7 bar [102 psi]	190 l/min [50 US gal/min]
Leakage	82 cm ³ /min [5 in ³ /min] @ 207 bar [3000 psi]
Weight	1.85 kg [4.08 lb]
Cartridge	CP211-2
Service mount kit	11023870
Motor	OMT

DIMENSIONS

Cross-sectional view

mm [in]



4X M10x1.5x50mm [1.97in]
 ⌀8mm
 75 Nm [55 lbf-ft]

HIC Includes:
 - M10x50mm bolts (4X)
 - (-123) O'rings, Viton (29.82x2.62 mm) (2X)

ORDERING INFORMATION

MM-OMT-00-DCP211-2-B-12S-E-C-254

