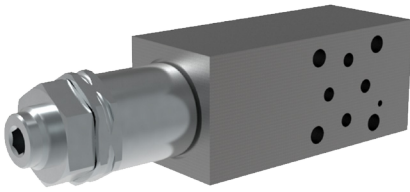


Pressure Relief Valve, Poppet Type, Direct Acting, Modular

VPP2-04/M(R)

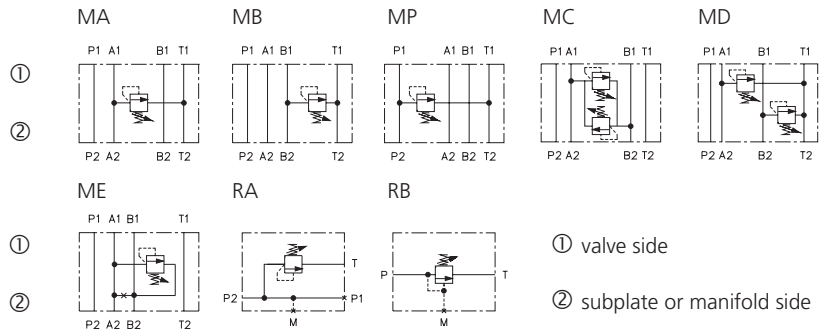
Size 04 (D02), 06 (D03) • Q<sub>max</sub> 40 l/min (11 GPM) • p<sub>max</sub> 320 bar (4600 PSI)



Technical Features

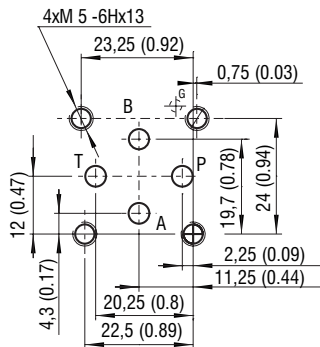
- › Pressure relief valve, poppet type, direct acting, modular with mounting interface acc. to ISO 4401, DIN 24340 (CETOP 02 and 03) or in-line design
- › Excellent stability throughout flow range with rapid response to dynamic pressure changes
- › Low hysteresis, accurate pressure control and low pressure drop
- › Wide pressure range up to 320 bar
- › Hardened precision parts
- › Sharp-edged steel seats for dirt-tolerant performance
- › Leak-free closing, suitable for fast cycling with long life
- › Adjustable by allen key or hand screw
- › In the standard version, the valve is zinc-coated for 240 h protection acc. to ISO 9227 and the valve body is phosphated

Functional Symbols



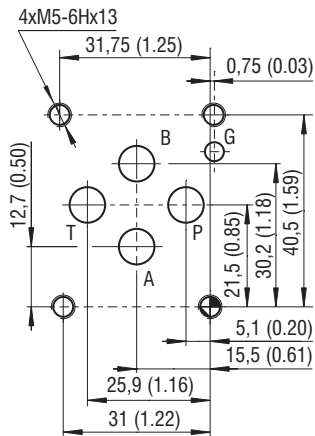
Notice: The orientation of the symbol on the name plate corresponds with the valve function.

ISO 4401-02-01-0-05



Ports P, A, B, T - max. Ø4.5 mm (0.18 in)

ISO 4401-03-02-0-05



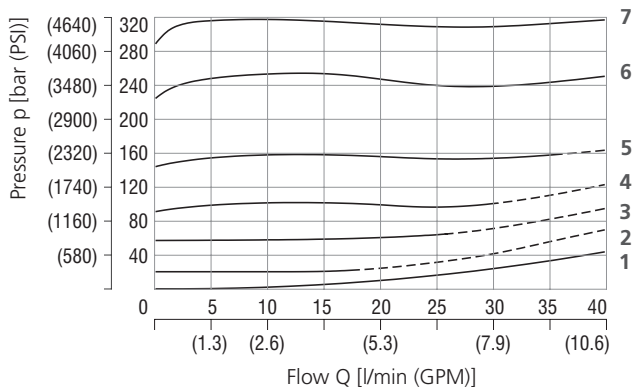
Ports P, A, B, T - max. Ø7.5 mm (0.29 in)

Technical Data

Valve size	04 (D02), 06 (D03)	
Max. flow	l/min (GPM)	40 (10.6)
Max. pressure	bar (PSI)	320 (4640)
Fluid temperature range (NBR)	°C (°F)	-30...+100 (-22...+212)
Fluid temperature range (FPM)	°C (°F)	-20...+120 (-4...+248)
Mass	kg (lbs)	- models MA (B, P) 04
		- models MC (D, E) 04
		- models MA (B, P) 06
		- models MC (D, E) 06
		0.82 (1.81)
		1.32 (2.91), ME 1.25 (2.76)
		1.12 (2.46)
		1.42 (3.12), ME 1.35 (2.98)
		1.17 (2.57)
	Datasheet	Type
General information	GI_0060	Products operating conditions
Mounting interface	SMT_0019	Size 04 / 06
Spare parts	SP_8010	

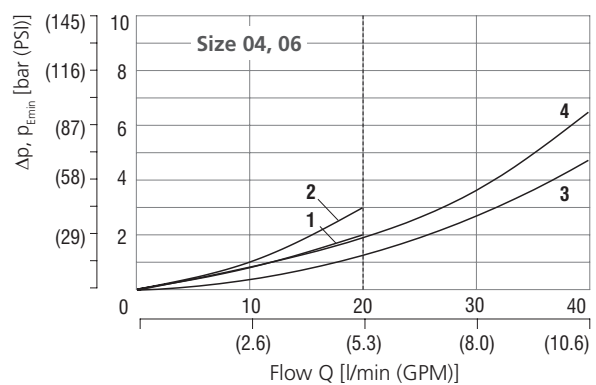
Characteristics measured at v = 32 mm<sup>2</sup>/s (156 SUS)

Relief pressure related to flow rate



Pressure range	Min. pressure setting	2	6	10	16	25	32
	1	2	3	4	5	6	7

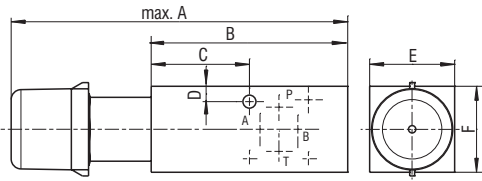
Minimum set and circulation pressure



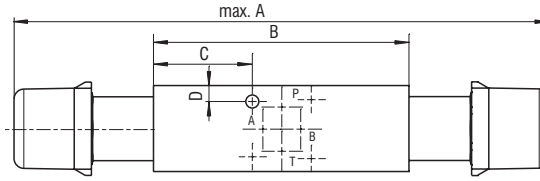
Size 04	Size 06	Models
1	3	MA, MB, MP, MD
2	4	MC, ME

**Dimensions** in millimeters (inches)

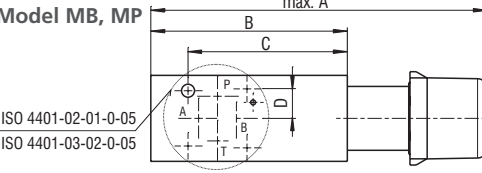
**Model MA**



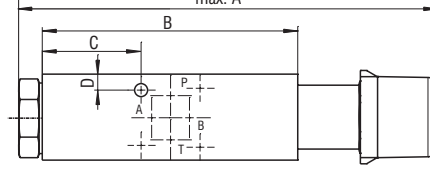
**Model MC,MD**



**Model MB, MP**

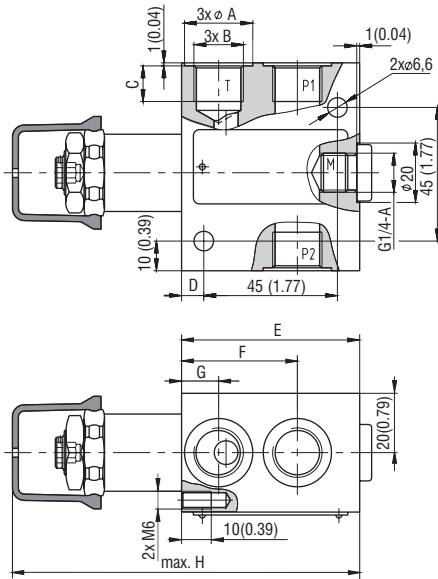


**Model ME**

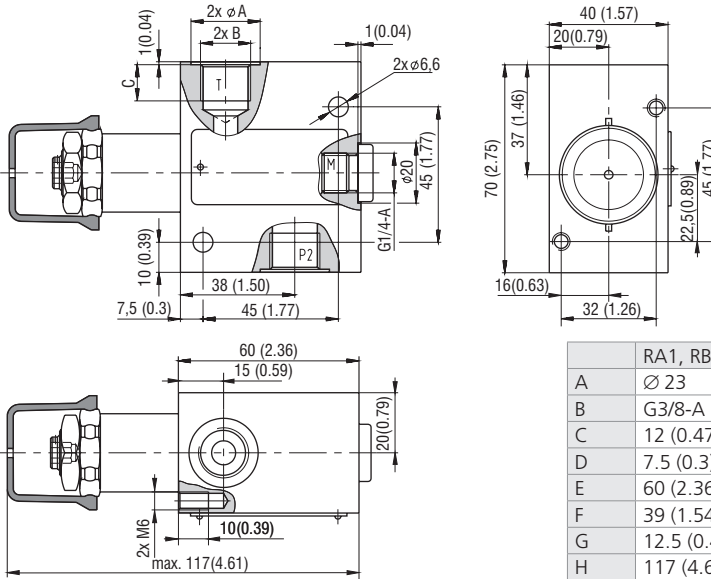


Version	Size	04 (D02)	06 (D03)
MA (B,P)	A	137 (5.39)	
MC (D)		218 (8.58)	208 (8.19)
ME		170.5 (6.71)	160.5 (6.32)
MA (B,P)	B	80 (3.15)	
MC (D,E)		104 (4.09)	94 (3.70)
MA (C,D,E)	C	40 (1.57)	25.5 (1.0)
MB (P)		64 (2.52)	68.5 (2.7)
MA (B,C)	D	6.25 (0.25)	7 (0.28)
	E	35 (1.38)	40 (1.57)
MD (E,P)	F	35 (1.38)	45 (1.77)

**Model RA1, RA2**



**Model RB1, RB2**



	RA1, RB1	RA2, RB2
A	∅ 23	∅ 28
B	G3/8-A	G1/2-A
C	12 (0.47)	14 (0.55)
D	7.5 (0.3)	18 (0.71)
E	60 (2.36)	70 (2.76)
F	39 (1.54)	46 (1.81)
G	12.5 (0.49)	16 (0.63)
H	117 (4.61)	127 (5)

**Ordering Code**

VPP2-04 / [ ] - [ ] - [ ] - [ ] - [ ]

**Pressure relief valve, poppet type, direct acting, modular**

**Model**

modular, valve from A to T  
 modular, valve from B to T  
 modular, valve from P to T  
 modular, valve from A to B and B to A  
 modular, valve from A to T and B to T  
 modular, valve from A to B  
 in-line valve, three ports, thread G 3/8 (P1, P2, T)  
 in-line valve, three ports, thread G 1/2 (P1, P2, T)  
 in-line valve, two ports, thread G 3/8 (P, T)  
 in-line valve, two ports, thread G 1/2 (P, T)

**MA**  
**MB**  
**MP**  
**MC**  
**MD**  
**ME**  
**RA1**  
**RA2**  
**RB1**  
**RB2**

**Modular plate size**

ISO 4401-02-01-0-05, DIN 24340 (CETOP 02), size 04 **04**  
 ISO 4401-03-02-0-05, DIN 24340 (CETOP 03), size 06 **06**

**Surface treatment**  
 No designation body phosphated, steel parts  
 zinc-coated (ZnCr-3), ISO 9227 (240 h)  
**A** zinc-coated (ZnCr-3), ISO 9227 (240 h)  
**B** zinc-coated (ZnNi), ISO 9227 (520 h)

**Seals**  
 No designation  
**V** NBR  
 FPM (Viton)

**Adjustment option\***  
**S** allen key (hex. 6), without protective cap  
**T** allen key (hex. 6), with protective cap  
**RS** hand screw, metal  
**L** allen key (hex. 6), with protective cap, sealable (lockwire holes)  
**Model with two pressure relief cartridges**  
**S/RS** A side, allen key (hex. 6), without protective cap  
 B side, hand screw, metal

\*for dimensions of adjustment options see data sheet No.5093

**Pressure range**  
**2** up to 25 bar (360 PSI)  
**6** up to 63 bar (910 PSI)  
**10** up to 100 bar (1450 PSI)  
**16** up to 160 bar (2320 PSI)  
**25** up to 250 bar (3630 PSI)  
**32** up to 320 bar (4600 PSI)

**Model with two pressure relief cartridges**  
**32/10** 320 bar (4600 PSI) in port A, 100 bar (1450 PSI) in port B