

OPERATION

The HLE10-CPC is a 10-size, high pressure, normally-closed, pilot-to-close, spool-type, spring biased differential-sensing logic element. It will modulate flow from 1 to 2 based on the spring control pressure, inlet pressure at port 1, and pilot pressure at port 3.



APPLICATION

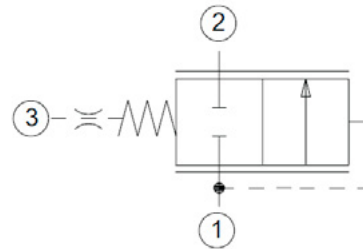
Common applications include load-sensing bypass compensator for a fixed displacement pump with single or multiple actuators as well as bypass-type pressure-compensated flow control. Effective use of logic elements is a key to designing cost-effective circuits, and is limited only by the imagination of the designer

SPECIFICATION

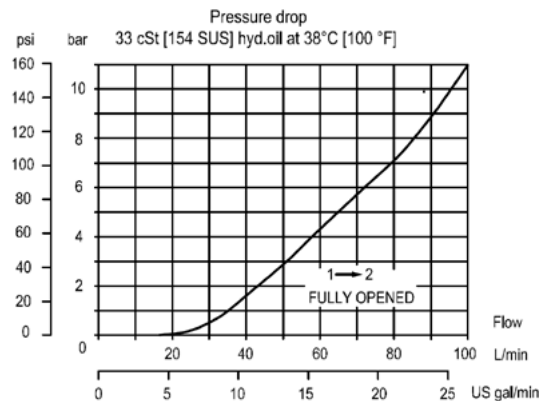
Rated Pressure*	350 bar [5075 psi]
Rated Flow at 7 bar [100 psi]	80 l/min [21.1 US gal/min]
Weight	0.14 kg [0.31 lbs]
Cavity	SDC10-3S

* Rated Pressure based on NFPA fatigue test standards (at 1 Million Cycles).

SCHEMATIC

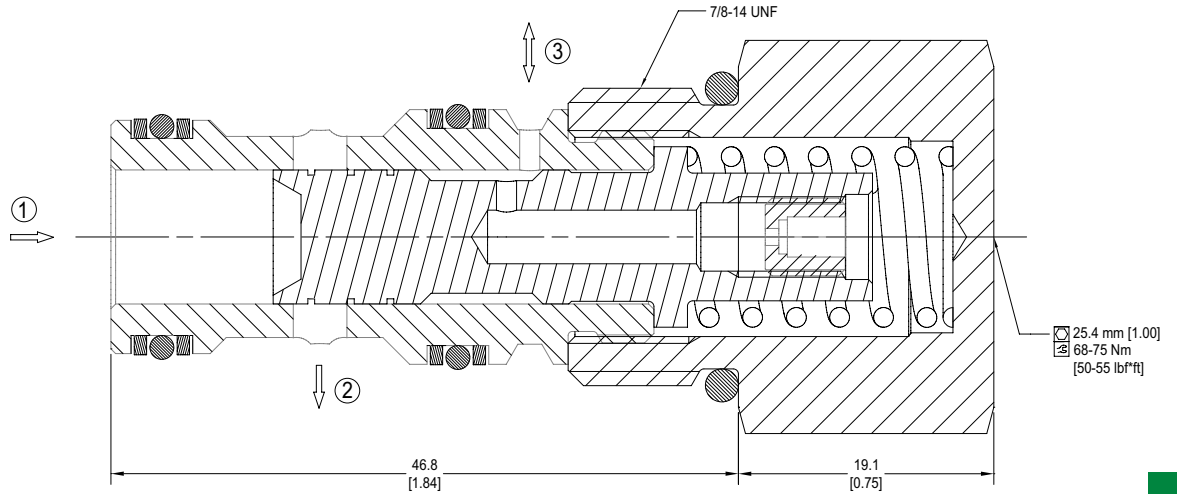


PERFORMANCE CURVE

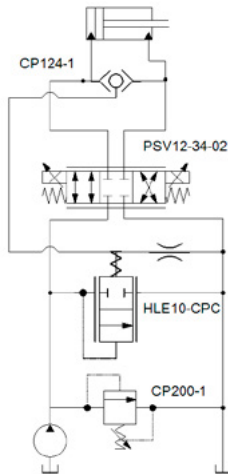


LE - Logic Elements
 HLE10-CPC

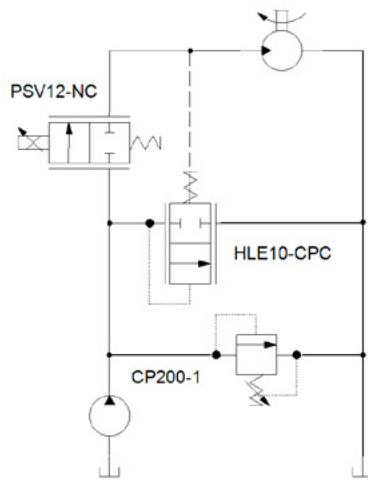
DIMENSION



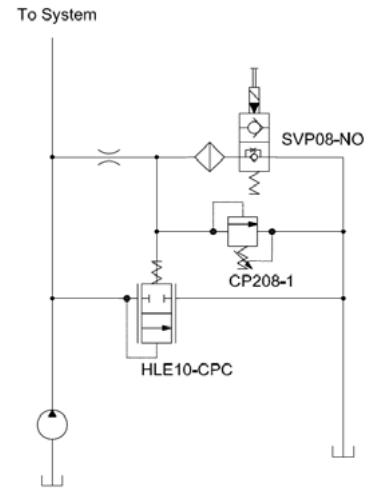
EXAMPLE CIRCUITS



Double Acting Cylinder with Proportional Speed Control, Unloading Valve and Circuit Relief



Proportional Bypass Flow Control



Dump and Relief Valve for a Fixed Pump

ORDERING INFORMATION

HLE10: High flow, high pressure, logic element, 10-size

CPC: Normally closed, pilot to close

HLE10 - CPC - 2.75 - B - 00

Differential Pressure Control

Code	Description
2.75	2.75 bar [40 psi]
5.5	5.5 bar [80 psi]
7.5	7.5 bar [110 psi]
10.0	10.0 bar [150 psi]
13.0	13.0 bar [190 psi]
15.0	15.0 bar [220 psi]

Housings & Ports	Housing P/N
00: Cartridge Only	No Body
3B: AL, 3/8 BSP	SDC10-3S-3B
4B: AL, 1/2 BSP	SDC10-3S-4B
6S: AL #6 SAE	SDC10-3S-6S
8S: AL #8 SAE	SDC10-3S-8S

Code	Seal Material	Seal kit
B	Buna	11126248
V	Viton	11126249

LE - Logic Elements
HLE10-CPC