

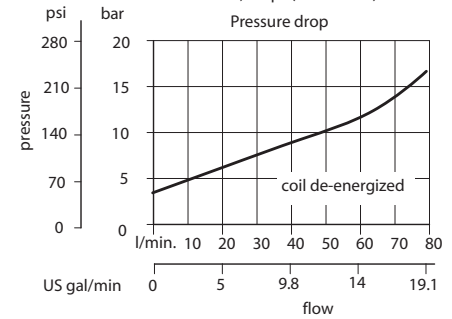
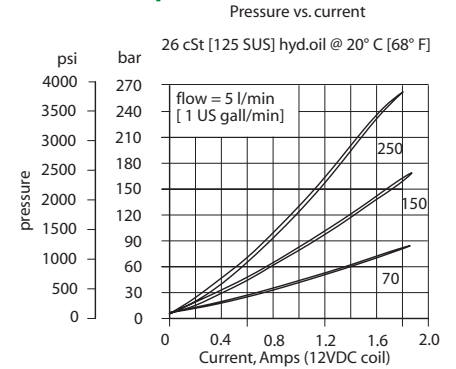
OPERATION

This is a pilot-operated, normally-open, proportional relief valve.

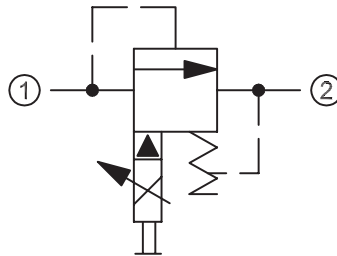
SPECIFICATIONS

Rated pressure	315 bar [4500 psi]
Rated flow	50 l/min [13 US gal/min]
Weight	0.53 kg [1.17 lb]
Hysteresis	3% maximum
Threshold current	0 A (12 VDC coil) 0 A (24 VDC coil)
Maximum control current	1.8 A (12 VDC coil) 0.9 A (24 VDC coil)
Cavity	NCS06/2
Standard Coil	M19P 22 Watt

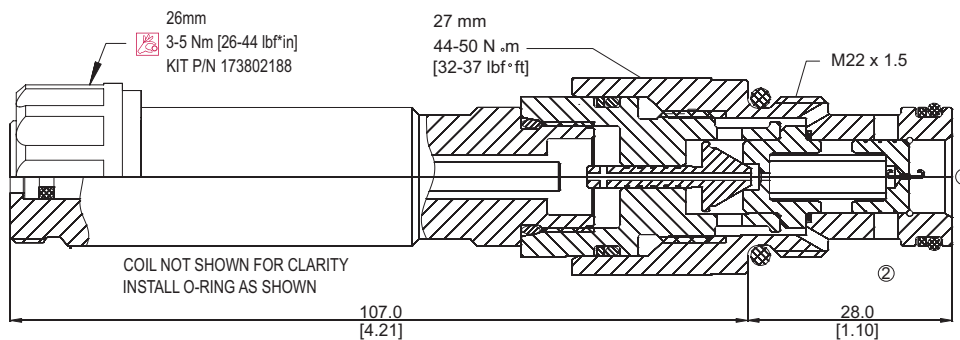
Theoretical performance



Schematic



Cross-sectional view



DIMENSIONS

mm in

ORDERING INFORMATION

XMP 06 - 70 - 24D - DE - EN - 00 - V

Proportional Relief Valve, Pilot Operated, Normally Open, 06 Size Cavity (Metric)

Code	Setting Range
70	3-70 bar [44-1015 psi]
150	5-150 bar [73-2176 psi]
250	7-250 bar [102-3626 psi]

Code	Coil Voltage
00	No Coil
12D	12V DC
24D	24 V DC

Code	Coil Termination
00	No Coil
AJ	Amp Junior
DE	Deutsch
DN	DIN 43650
DN1	DIN w/ Connector

Code	Manual Override
00	Push Pin (Standard)
EN	Screw Style

Code	Seal	Seal Kit
Omit	Buna-N	230000380
V	Viton	230000080

Body & Ports	Body Nomenclature
00 = No housing	No Body
DG-6S = Al, #6 SAE	NCS06/2-DG-6S
DG-8S = Al, #8 SAE	NCS06/2-DG-8S
DG-3/8 = Al, 3/8" BSP	NCS06/2-DG-3/8
DG-1/2 = Al, 1/2" BSP	NCS06/2-DG-1/2