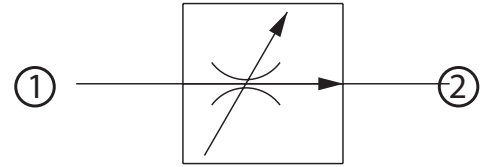


OPERATION

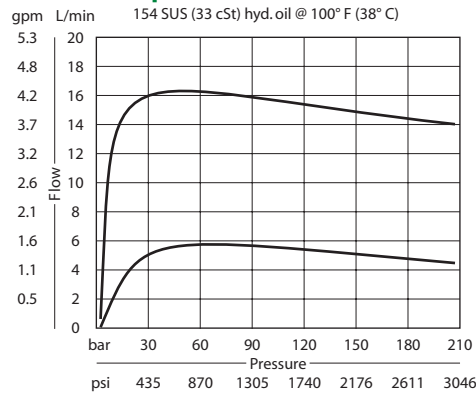
This valve is a limited adjustment pressure compensated flow control valve.

Schematic



SPECIFICATIONS

Theoretical performance



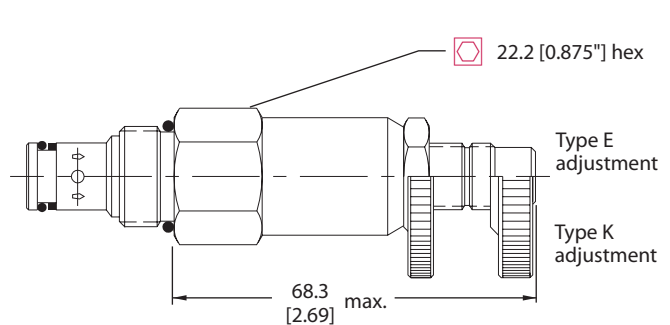
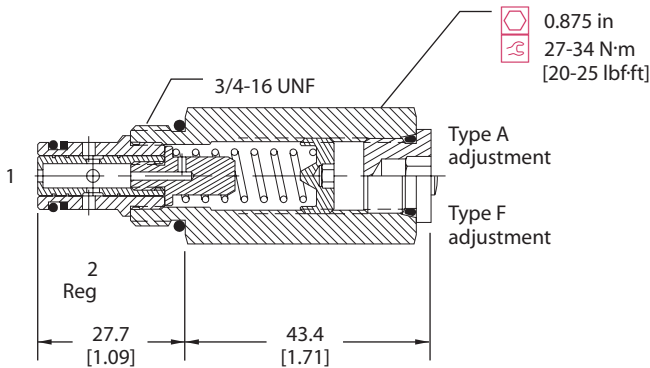
Specifications

| | |
|---------------------------|----------------------------|
| Rated pressure | 210 bar [3000 psi] |
| Max regulated flow | 15 l/min [4 US gal/min] |
| Weight | 0.15 kg [0.32 lb] |
| Cavity | SDC08-2 |

DIMENSIONS

Cross-sectional view

mm in



ORDERING INFORMATION

CP308 - 2 - B - 6S - A - 1.0

| | | |
|--------------------------|--------------------|--------------------------|
| Seals | Seal kit | Regulated Flow |
| B = Buna-N | 120221 | L/min [US gal/min] |
| V = Viton | 120222 | 0.1 = .4 [0.1] |
| | | To |
| | | 4.0 = 15.1 [4.0] |
| Housing and ports | Housing P/N | Adjustment option |
| 0 = No Housing | No Housing | A = Internal |
| DG2B = Al, 1/4 BSP | SDC08-2-DG-2B | E = External |
| DG3B = Al, 3/8 BSP | SDC08-2-DG-3B | F = Tamper resistant |
| 4S = Al, #4 SAE | CP08-2-4S | K = Knob |
| 6S = Al, #6 SAE | CP08-2-6S | |
| Other housings available | | |