

Data Sheet

DP700 Series

PLUS+1[®] Mobile Machine Displays



The Danfoss DP700 Series is an element of the PLUS+1[®] family of mobile machine management products.

The DP700 is designed to perform in the most extreme mobile machine environments.

The DP700 offers three different display options to meet your application needs for both in-cab and open usage.

The latest technology with backlight provides outstanding brightness and contrast performance resulting in an easy-to-read screen. Optically Bonded LCD/Lens Technology improves sunlight viewability and prevents fogging.

Develop your own software and layout with PLUS+1[®] GUIDE. A graphic library is available for fast time-to-market.



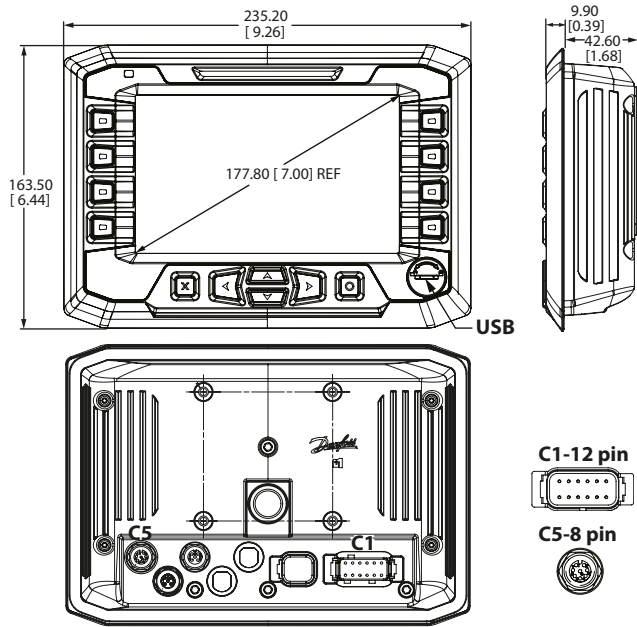
Features

- 7" High resolution TFT display 800 x 480 pixels, 18-bit colour
- Ideal for gauges, diagnostic menus, and other ancillary functions
- User-programmable with PLUS+1[®] GUIDE (Graphical User Integrated Development Environment)
- Optically bonded LCD
- Two multifunction inputs that include DIN/ AIN/FreqIN/Rheo/4-20 mA
- Fully integrated connectors and silicone keypad provide water and dust protection from all sides
- Keypad with 14 buttons (8 soft-keys and 6 buttons for navigation)
- All buttons have white backlight design for low light and night use, all are individually software controlled
- Protective glass provides superior antiglare and contrast control under all light conditions
- Two mounting options:
 - Flush mount in dashboard
 - Stand-alone post mount according to VESA standard: 75 mm x 75 mm (2.953 in x 2.953 in)
- Can be mounted in Portrait or Landscape orientation
- Software configurable LED light bar
- USB port for fast software downloads and uploads
- Integrated light sensor for automatic backlight adjustment
- LCD brightness 400-550cd/m²
- Digital output for external alarm buzzer
- CE compliant
- On board real-time clock

[Comprehensive technical literature online at powersolutions.danfoss.com](http://powersolutions.danfoss.com)

Dimensions and connectors

DP700 dimensions (mm [in]); C1, C5 connectors



two1459287089966

Pin assignments

C1—DEUTSCH DTMO6 12 pin

| Pin | Function | Pins | Function |
|-------|-----------------------|--------|------------------------|
| C1-P1 | Power GND - | C1-P7 | CAN1 Low - (AIN/DIN) |
| C1-P2 | Power supply + | C1-P8 | Sensor power (AIN/DIN) |
| C1-P3 | CAN0 High + | C1-P9 | Sensor GND |
| C1-P4 | CAN0 Low - | C1-P10 | Multifunction-input |
| C1-P5 | CAN shield/AIN | C1-P11 | Multifunction-input |
| C1-P6 | CAN1 High + (AIN/DIN) | C1-P12 | DOUT |

C5—M12 8 pin

| Pin | Function | Pins | Function |
|-------|-----------------------------|-------|---------------------------|
| C5-P1 | USB device V _{BUS} | C5-P5 | USB host GND/RS232 GND |
| C5-P2 | USB device data D- | C5-P6 | USB host D+/RS232 RxD |
| C5-P3 | USB device data D+ | C5-P7 | USB host D-/RS232 TxD |
| C5-P4 | USB device GND | C5-P8 | USB host V _{BUS} |

Specifications

| | |
|---|--|
| Processor | ARM11, 532 MHz |
| RAM | 128 MB |
| FRAM | 8 kB |
| Supply voltage / current consumption | 9 to 36 V _{DC} / 1 amp at 14 V, 0.5 amp at 28 V |
| LCD glass | TFT with 18 bit resolution |
| Viewable area | 152.40 mm x 91.40 mm [6.00 in x 3.598 in] |
| IP rating | IP 67 |
| Operating temperature | -30° C to +60° C [-22° F to +140° F] |
| Storage temperature | -30° C to +80° C [-22° F to 176° F] |
| Weight | 1000 g [2.2 lb] |
| Vibration | 3.17 g |
| Shock | 50 g |
| EMC | 100 V/m |
| ESD | 15 kV |

Ordering information

Model features and product part numbers

| A | B | C | D | E | F | G | Part number |
|-------|----|----|----|----|----|----|-------------|
| DP700 | 01 | 01 | 01 | 02 | 04 | 01 | 11126309 |
| DP700 | 02 | 01 | 01 | 02 | 04 | 01 | 11126310 |
| DP700 | 03 | 01 | 01 | 02 | 04 | 01 | 11126311 |

| Model features | | Code | Description |
|----------------|--------------------------------|-------|---|
| A | Model name | DP700 | PLUS+1 [®] Mobile Machine Displays |
| B | LCD options | 01 | Value—transmissive |
| | | 02 | Standard—transmissive |
| | | 03 | High performance—Transmissive-Enhanced View TFT |
| C | Touchscreen options | 01 | None |
| D | Input / output options | 01 | User configurable |
| | | | 1 CAN, 2 AIN/DIN, 2 DIN/AIN/FreqIn/Rheo/4-20 mA IN, DOUT 2 CAN, 2 DIN/AIN/FreqIn/Rheo/4-20 mA IN, DOUT |
| E | Flash memory / application key | 02 | 512 MB/without application key |
| F | USB port type | 04 | USB device rear/USB host rear or front |
| G | Application log (vault memory) | 01 | 16 MB |

| Related product | Part number |
|--|-------------|
| Panel mounting kit | 11144800 |
| DEUTSCH 12 pin mating connector kit 20 AWG | 10100944 |
| DEUTSCH 12 pin mating connector kit 16 to 22 AWG | 10102025 |
| USB cable (device only) | 11130518 |
| USB cable (device and host) | 11130519 |

ENGINEERING
TOMORROW



Danfoss can accept no responsibility for possible errors in catalogues, brochures and other printed material. Danfoss reserves the right to alter its products without notice. This also applies to products already on order provided that such alterations can be made without changes being necessary in specifications already agreed.
All trademarks in this material are property of the respective companies. Danfoss and the Danfoss logotype are trademarks of Danfoss A/S. All rights reserved.
