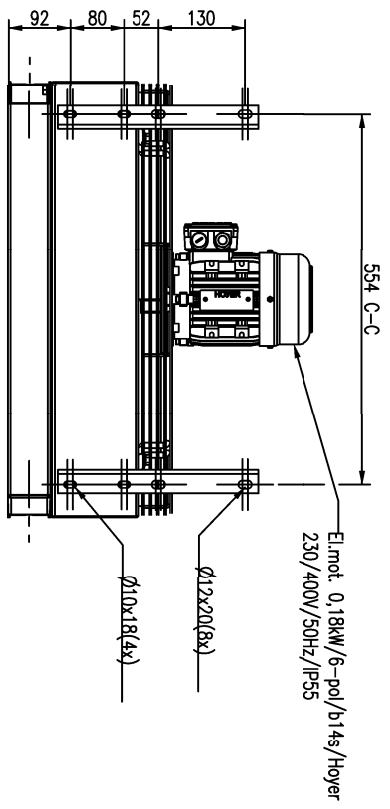
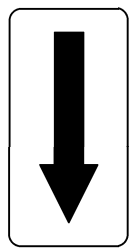
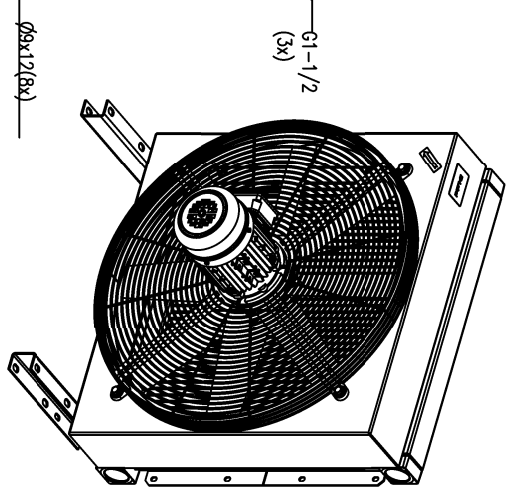
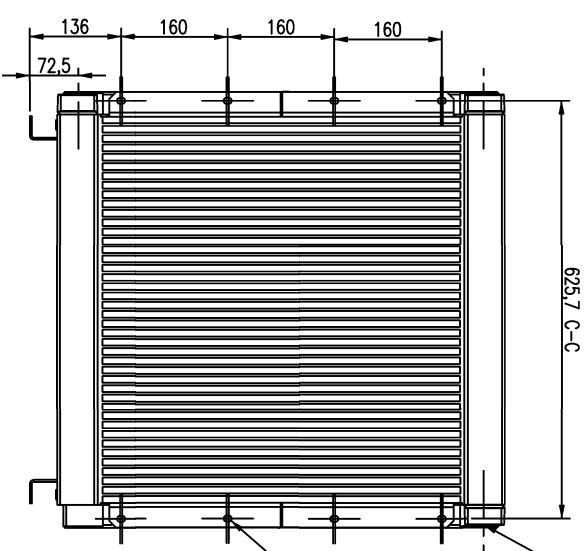
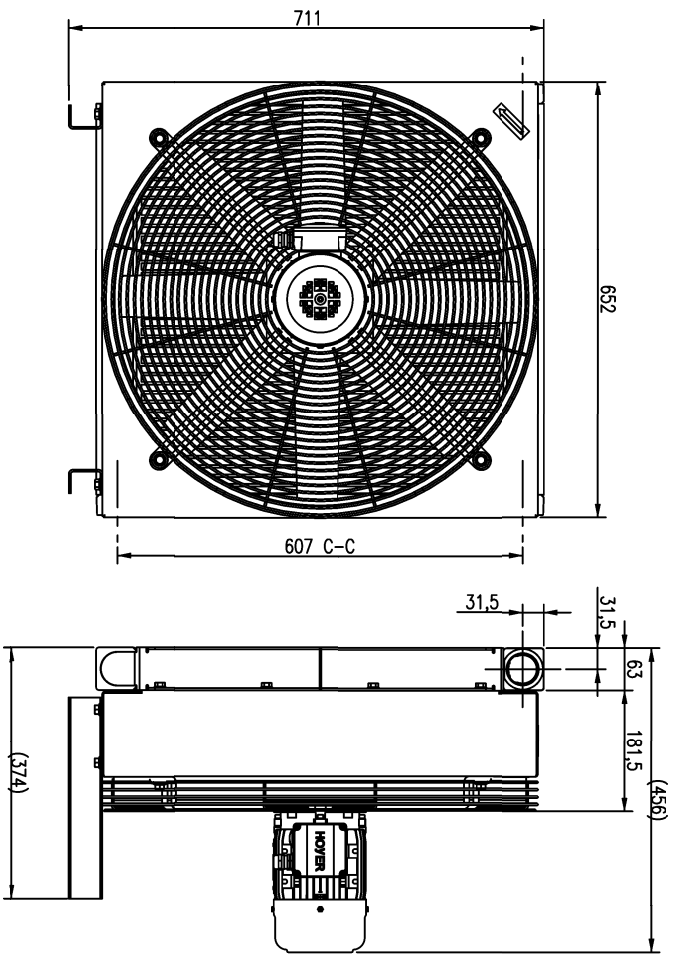


A B C D E F G H

1 2 3 4 5 6 7 8 9 10 11 12 13 14 15 16



Direction of Air-flow



Nissens Nissens Cooling Solution
TEL: 704-987-0088
FAX: 704-987-0087

Prod. no: _____ DATE: _____

Customer ID. NO.: _____

Nissens part no.: 270199

TEST PRESS. (psi/lb)	30	AIR	WATER
MAX PRESS. (psi/lb)	20	-	-
Min/Max TEMP. °F(°C)	125	-	-

Made by Nissens

Product in accordance with the following directives:
PED 97/23/Ec Article 3, part 3

Surface treatment:
- Alu Grey, Steel Black

Pressure testing
According to random sampling

Mass 37 [kg]

Tolerance class ISO 2768-V

Revision change

Revision date	Revision by	Project ID
Creation date	Created by	Customer

03.11.14

WJ

Customer

HPD50-2/M/L / - / - / SSP / AC50/400-6/S

HPD50-2/M/L / - / - / SSP / AC50/400-6/S

A3

Scale 1:10

Speed Characteristics

⑨

Structure In Work

Part no. 270199

Draw no. 063602-00

CONFIDENTIAL INFORMATION
This document is the property of Nissens A/S and it may not be distributed without the prior written consent by Nissens A/S

A B C D E F G H

1 2 3 4 5 6 7 8 9 10 11 12 13 14 15 16