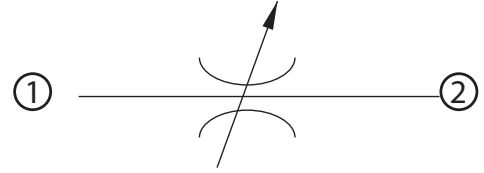


OPERATION

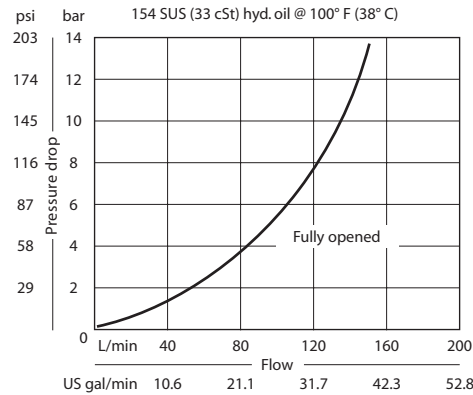
This valve is a non-pressure compensated, adjustable flow control valve.

Schematic



SPECIFICATIONS

Theoretical performance



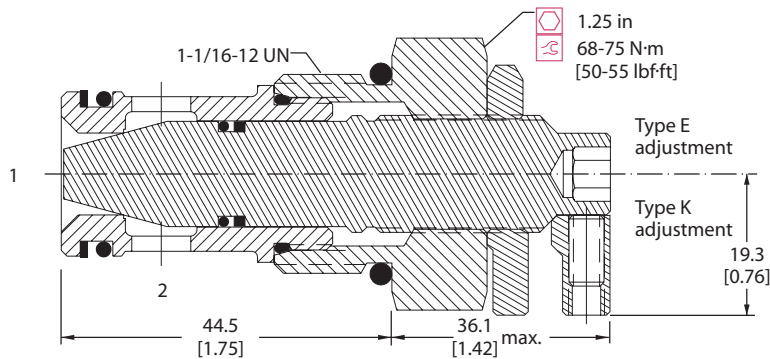
Specifications

Rated pressure	210 bar [3000 psi]
Rated flow at 7 bar [100 psi]	115 l/min [30 US gal/min]
Leakage	6 drops/min @ Rated pressure
Weight	0.26 kg [0.57 lb]
Cavity	CP12-2

DIMENSIONS

mm in

Cross-sectional view



ORDERING INFORMATION

CP611 - 2 - B - 12S - K

Seals	Seal kit	Adjustment option
B = Buna-N	120017	
V = Viton	120018	E = External
Housing and ports	Housing P/N	K = Knob
0 = No housing	No housing	
4B = Al, 1/2 BSP	CP12-2-4B	
6B = Al, 3/4 BSP	CP12-2-6B	
10S = Al, #10 SAE	CP12-2-10S	
12S = Al, #12 SAE	CP12-2-12S	

FC - Flow Control Valves
CP611-2