

## PROTECTION AGAINST BOILER CORROSION AND FOULING

### Non-insulated Load Units



#### CS TSV-MIX

#### Load Units with thermostatic mixing and a heating circuit circulation pump and mixing valve

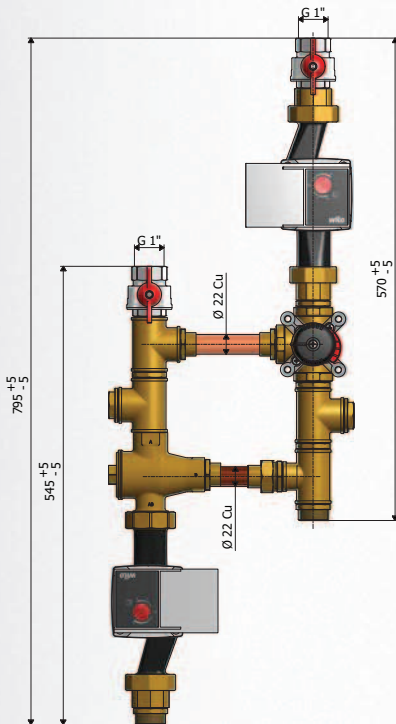
CS TSV MIX load unit is intended for solid fuel boilers with a thermal store, with a possibility of DHW heating. Water for heating system (i.e. heat output for a heating system) is mixed in a 3-way mixing valve, either with manual or electronic control.

Boiler heat surplus is stored into a thermal store and used later automatically after the boiler goes out.

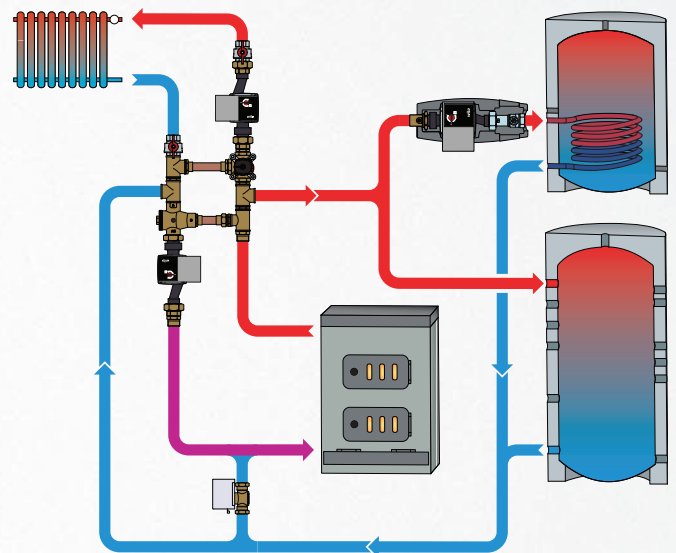
#### The load unit consists of:

- Circulation pump
- Boiler pump
- TSV3B load valve
- 2 ball valves for connection to heating system
- 3-way mixing valve for heating system
- Mixing valve actuator (versions with actuator only)

#### Dimensions



#### Connection in a system



#### Versions

Version	CSTSV MIX 55 P W	CSTSV MIX 65 P W	CSTSV MIX 55 W	CSTSV MIX 65 W	CSTSV MIX 55 P G	CSTSV MIX 65 P G	CSTSV MIX 55 G	CSTSV MIX 65 G
Nominal outlet temperature	55 °C	65 °C	55 °C	65 °C	55 °C	65 °C	55 °C	65 °C
Pump	YP 25/6	YP 25/6	YP 25/6	YP 25/6	UPM 3	UPM 3	UPM 3	UPM 3
Connection size	1"	1"	1"	1"	1"	1"	1"	1"
Actuator	yes	yes	no	no	yes	yes	no	no
Code	12 676	13 178	12 675	12 678	12 211	12 208	12 210	12 207