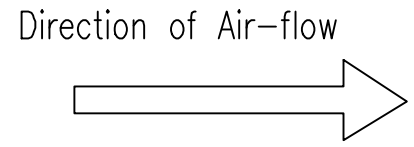
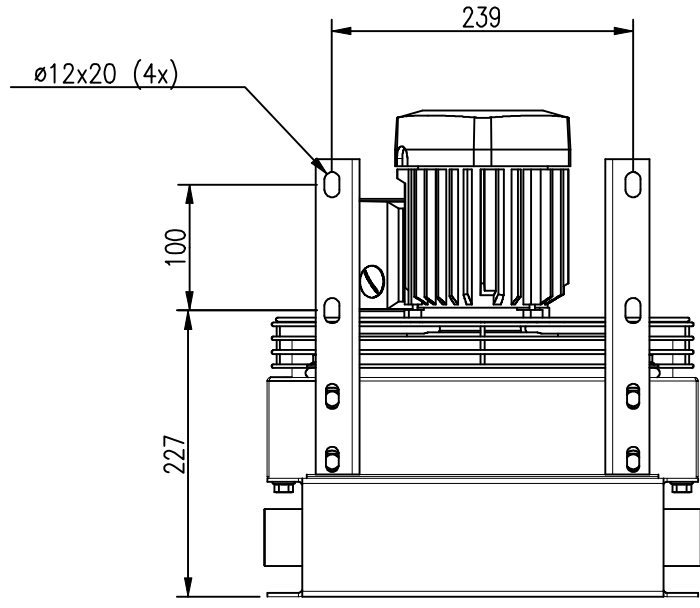


A
B
C
D
E
F
G
H



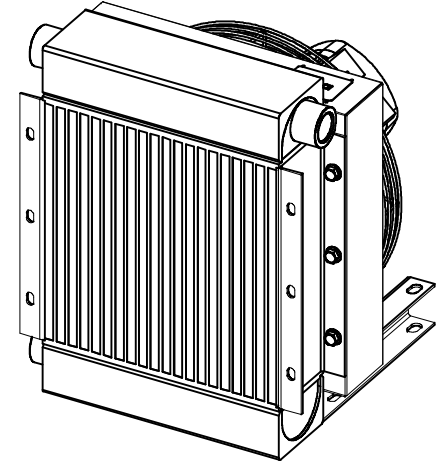
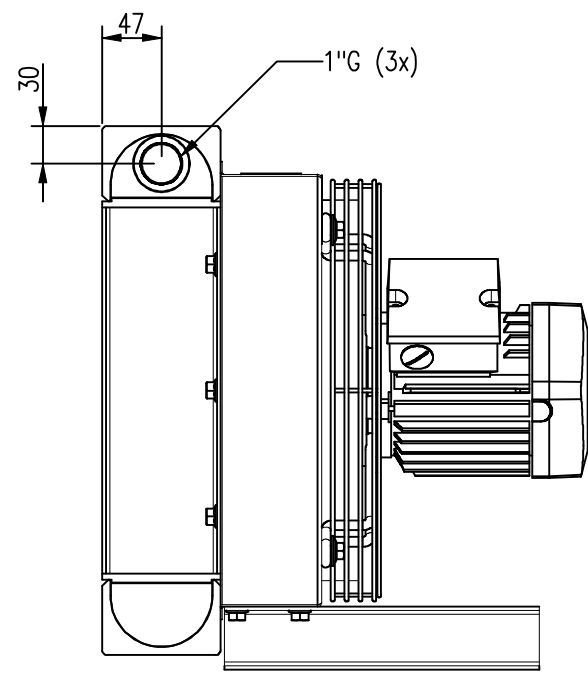
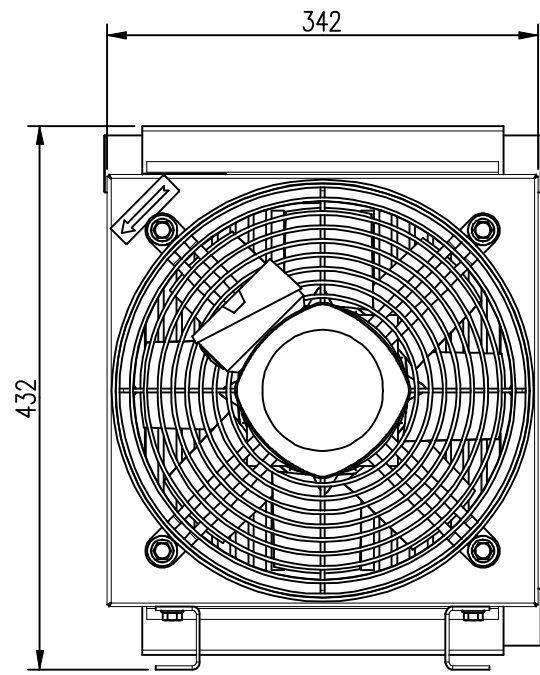
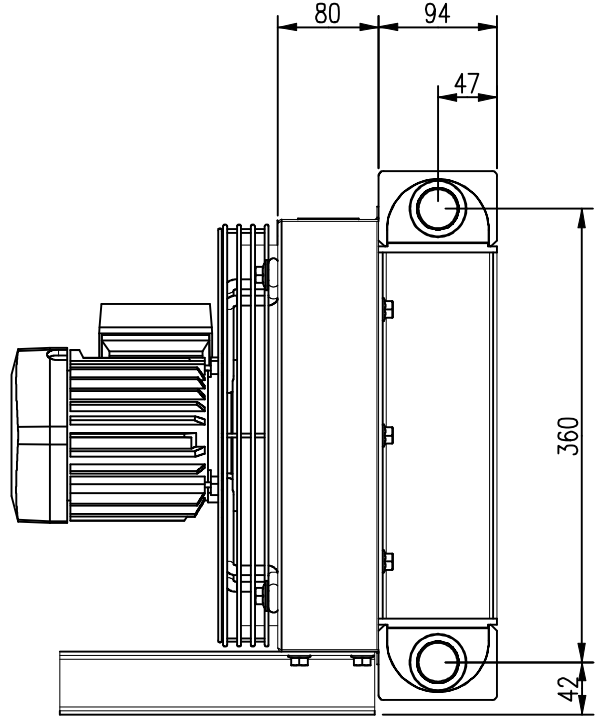
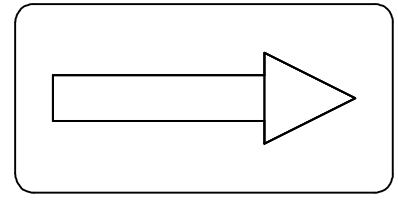
Motor 0,37 kW 2770 Rpm
Fan ø290

Nissens Nissens A/S
TEL. 45 76 26 26
FAX. 45 75 64 62

Prod. no: DATE:
 Customer ID. NO.:
 Nissens part no.:

TEST PRES: (bar)	-	OIL: 30	AIR: -	WATER: -
MAX PRES: (bar)	-	20	-	-
MIN/MAX TEMP: (°C)	-	-20/150	-	-

Made by Nissens



Product in accordance with the following directives:
PED 97/23/Ec Article 3, part 3

Surface treatment	Alu Grey, Steel Black -	Mass	25 [kg]
Pressure testing	According to random sampling	Tolerance class	ISO 2768-v

Revision change 0: Replaces 971713B2; -		Project ID HP20-2/400/2-POL		Special Characteristics Ⓢ	
Revision date 07.03.11	Revised by MHH	Customer NISSENS STANDARD PRODUKTER		Status Production Released	
Creation date 07.03.11	Created by MHH	Description Cooler system block-Oil		Part no. 260004	
NISSENS A/S DK - 8700 HORSSENS TEL: (+45) 7626 2626 WWW.NISSENS.COM		Nissens		Drw no. 039547-00	
Format A3		Scale 1:6			