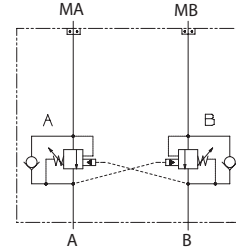


OPERATION

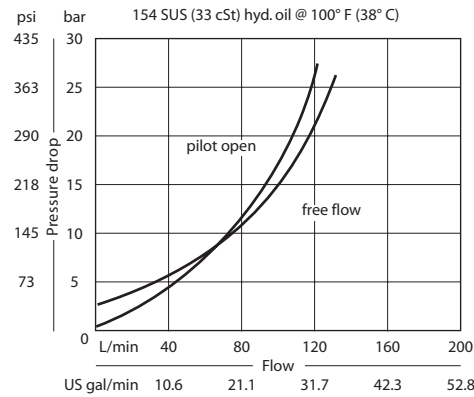
This is a dual-counterbalance HIC that mounts to OMT motors with BSP porting.

Schematic



SPECIFICATIONS

Theoretical performance



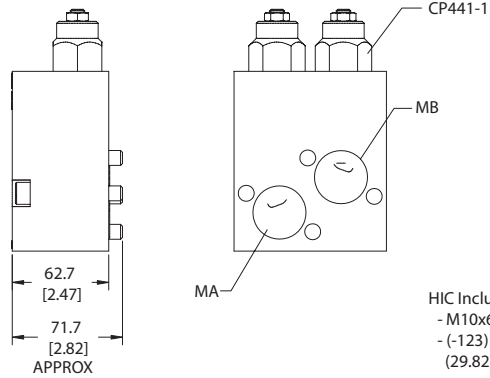
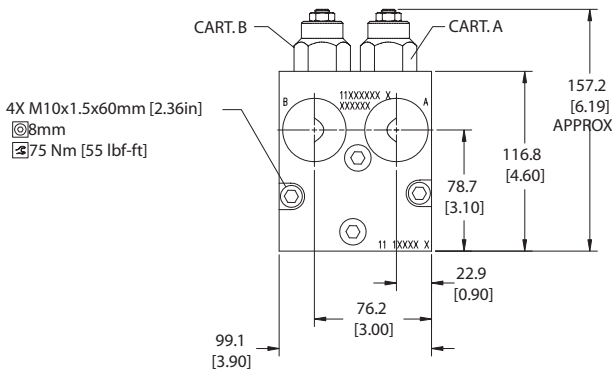
Specifications

Rated pressure	210 bar [3045 psi]
Rated flow at 22 bar [319 psi]	115 l/min [30 US gal/min]
Leakage	10 drops/min @ 70% of crack pressure
Weight	2.20 kg [4.85 lb]
Pilot ratio	3.0:1, 4.5:1, 10.0:1
Cartridge	CP441-1
Service mount kit	11023871
Motor	OMT

DIMENSIONS

Cross-sectional view

mm [in]



HIC Includes:
 - M10x60mm bolts (4X)
 - (-123) O'rings, Viton (29.82x2.62 mm) (2X)

ORDERING INFORMATION

MM-OMT-00-DCP441-1-B-12S-E-A-250-10.0-015

