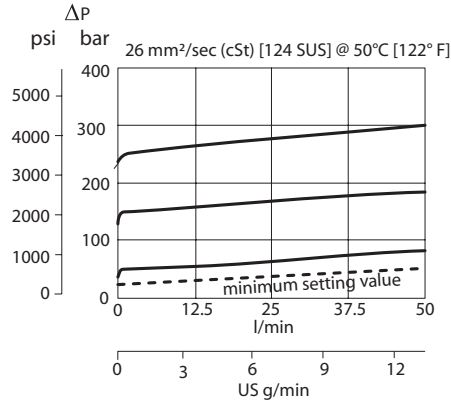


**OPERATION**

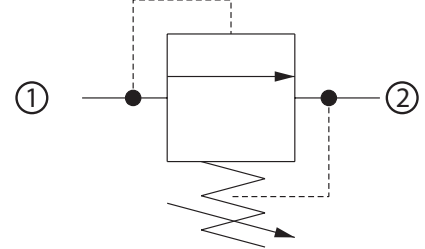
This is a direct-acting, poppet-type relief valve that relieves from 1 to 2. It features a highly damped poppet for smooth and stable response.

**SPECIFICATIONS**

Theoretical performance



Schematic



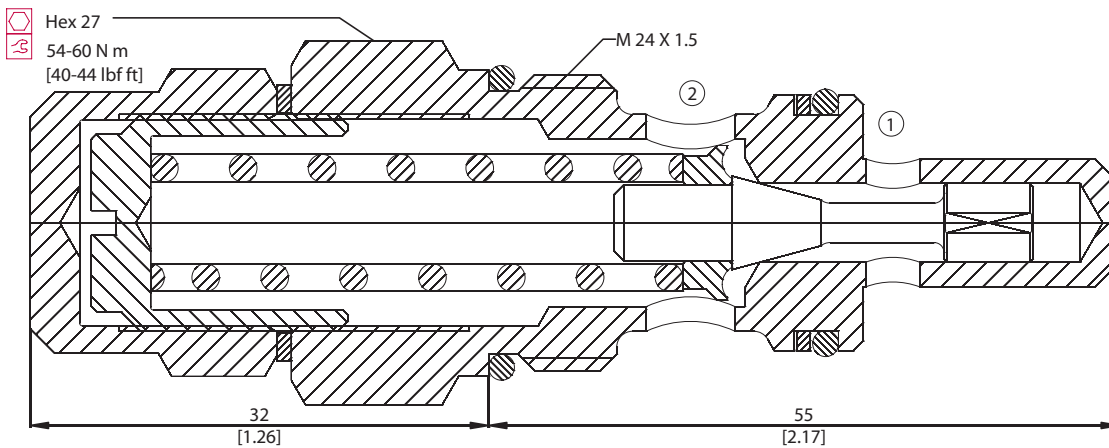
Specifications

<b>Rated pressure</b>	315 bar [4500 psi]
<b>Rated flow</b>	50 l/min [13 US gal/min]
<b>Weight</b>	0.20 kg [0.44 lb]
<b>Cavity</b>	VME07

**DIMENSIONS**

mm [in]

Cross-sectional view



**ORDERING INFORMATION**

VME 07 - E - 2 - DG1/2 - V - XXX

**Adjustment**

E = Internal screw  
 M = Handwheel

**Setting range**

1 = 25 - 80 bar [363-1160 psi]  
 2 = 35 - 180 bar [508-2611 psi]  
 3 = 70 - 315 bar [1015-4569 psi]

**Seals**

V = Viton  
 Omit = Buna-N

Seal kit  
 Consult factory  
 Consult factory

**Housing and ports**

00 = No Housing  
 DG1/2 = Al, 1/2 BSP  
 DG8S = Al, #8 SAE  
 Other housings available

**Housing P/N**

No Housing  
 VME07-DG-1/2  
 VME07-DG-8S

To order this valve with a specific factory setting, contact your Comatrol representative.