



**CURTIS**

A **KOHLER** COMPANY



## Foot Pedals

### Model FP6E



# Foot Pedals

## Model FP6E

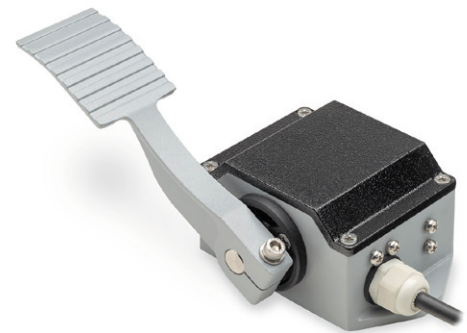


The Curtis Model FP-6E is a dual spring foot pedal designed to provide a signal to the motor controller system in response to the driver's request for vehicle power. A conductive plastic potentiometer is employed which provides a resistive output proportional to the angular movement of the pedal arm.

The FP-6E is supplied with a 1m length, 5-core cable suitable for -40° to 70° C and a loose pedal. The unit can be installed either in the floor or a suspended mounting position. The pedal can be mounted on either side of the shaft and should be fixed at the most convenient angular position.

## FEATURES

- ▶ Unique pedal shape for flexible mounting for floor / wall mounting.
- ▶ Extended shaft for easy change of pedal arm side (on left or right side).
- ▶ Stainless steel shaft with lubricated bronze bushing at both ends.
- ▶ Gears with metallic insert to avoid gear distortion.
- ▶ Dual spring design to avoid spring failure accidents.
- ▶ Housing, Cover and Pedal are aluminium with powder coating for better aesthetics.
- ▶ Stainless steel hardware.



## Installation

- ▶ **Suspended Type:** The Pedal can be used as a 'Suspended Type Accelerator Pedal' by using a standard pedal arm.



# Foot Pedals

Model FP6E



## SPECIFICATIONS

### Electrical Specifications

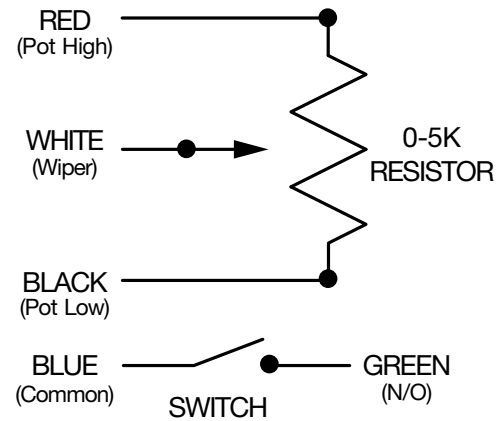
- ▶ Three Wire 5K $\Omega$   $\pm$  10%, Conductive Plastic Potentiometer.
- ▶ Maximum current carrying capacity of micro switch is 8A (Resistive load) at 30 V DC and 25° C.
- ▶ Five core cable suitable for temperature -40° to 70° C.
- ▶ Pedal electrical angle 22°.

### Mechanical Specifications

- ▶ Ingress Protection: IP 66.
- ▶ Pedal angular movement 30°  $\pm$  3°.
- ▶ Stepping force minimum @11N (@1.1kgf).
- ▶ Stepping force maximum @22N (@2.2kgf).
- ▶ Life expectancy @ 1 million operations.

## WIRING DIAGRAM

Wire Color	Function
Red	Pot High
White	Wiper
Black	Pot Low
Green	Micro Switch - 1 N/O
Blue	Micro Switch - 1 COMMON



Pedal Position	Angle (Degrees)	MS1	Output (Ohms)
'A'	0°	Off	<10
'B'	4° $\pm$ 1	On	100-400
'C'	@ ~26°	On	4.5K-5.0K
'D'	30° $\pm$ 3	On	4.5K-5.5K

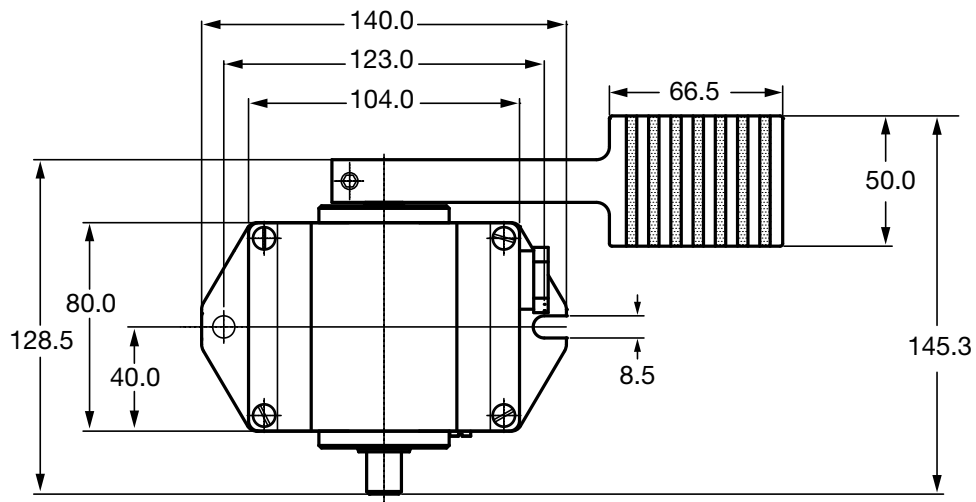
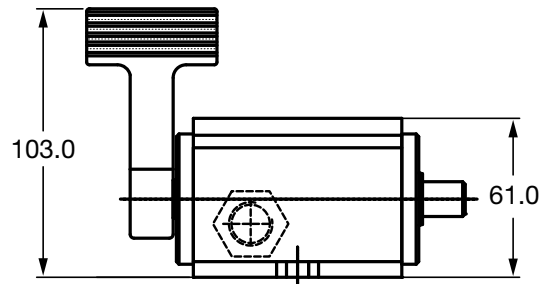
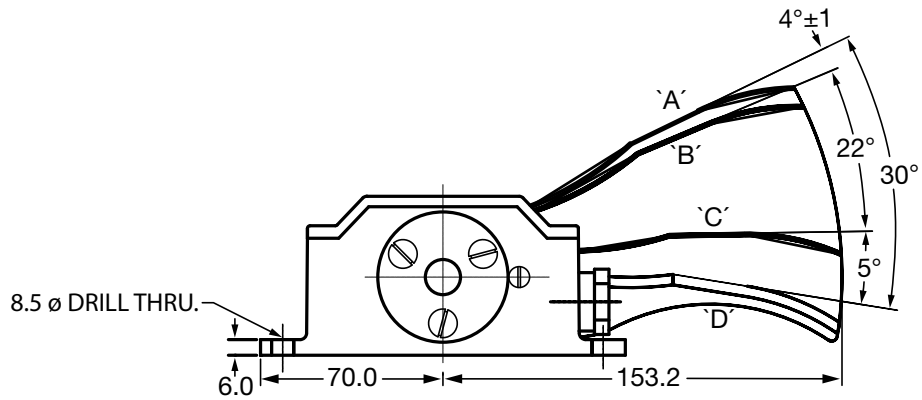
**NOTE:** For safety, a mechanical stopper between the angular pedal positions 'C' and 'D' is recommended.



# Foot Pedals

Model FP6E

## DIMENSIONS mm



**WARRANTY** Two year limited warranty from time of delivery.