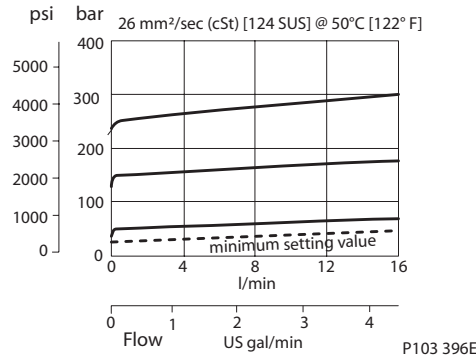


OPERATION

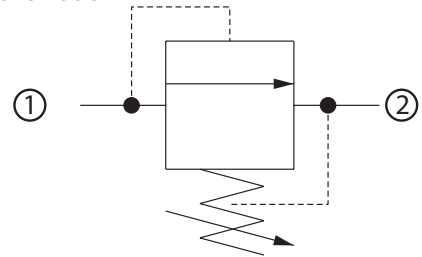
This is a direct-acting, poppet-type relief valve that relieves from 1 to 2. It features a highly damped poppet for smooth and stable response.

SPECIFICATIONS

Theoretical performance



Schematic



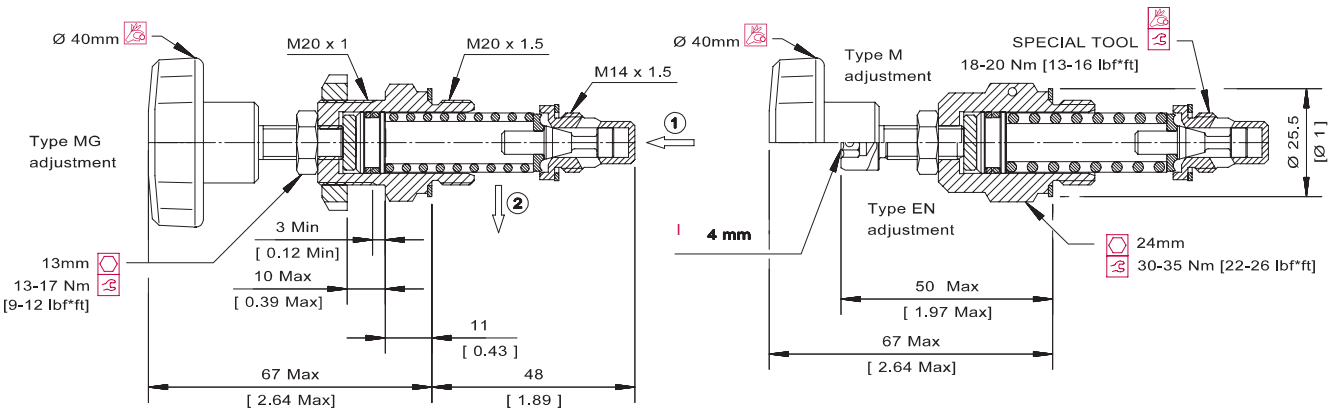
Specifications

| | |
|-----------------------|--------------------------|
| Rated pressure | 315 bar [4500 psi] |
| Rated flow | 40 l/min [11 US gal/min] |
| Weight | 0.13 kg [0.29 lb] |
| Cavity | VME06 |

DIMENSIONS

mm [in]

Cross-sectional view



ORDERING INFORMATION

VME 06 - EN - 2 - DG3/8 - V - XXX

Adjustment

EN = External screw
 M = Handwheel
 MG = Handwheel (panel mounted)

Setting range

1 = 25 - 70 bar [363-1015 psi]
 2 = 35 - 170 bar [508-2466 psi]
 3 = 70 - 315 bar [1015-4569 psi]

Housing and ports

00 = No Housing
 DG3/8 = AI, 3/8 BSP
 DG6S = AI, #6 SAE
 Other housings available

Seals

V = Viton seals
 Omit = Buna-N

Housing P/N

No Housing
 VME06-DG-3/8
 VME06-DG-6S

To order this valve with a specific factory setting, contact your Comatrol representative