

Nissens Nissens Cooling Solution
TEL. 704-987-0088
FAX. 704-987-0087

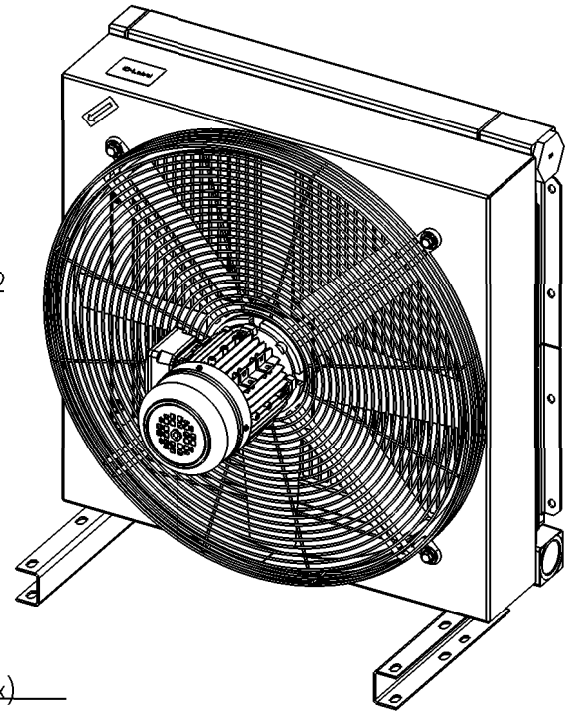
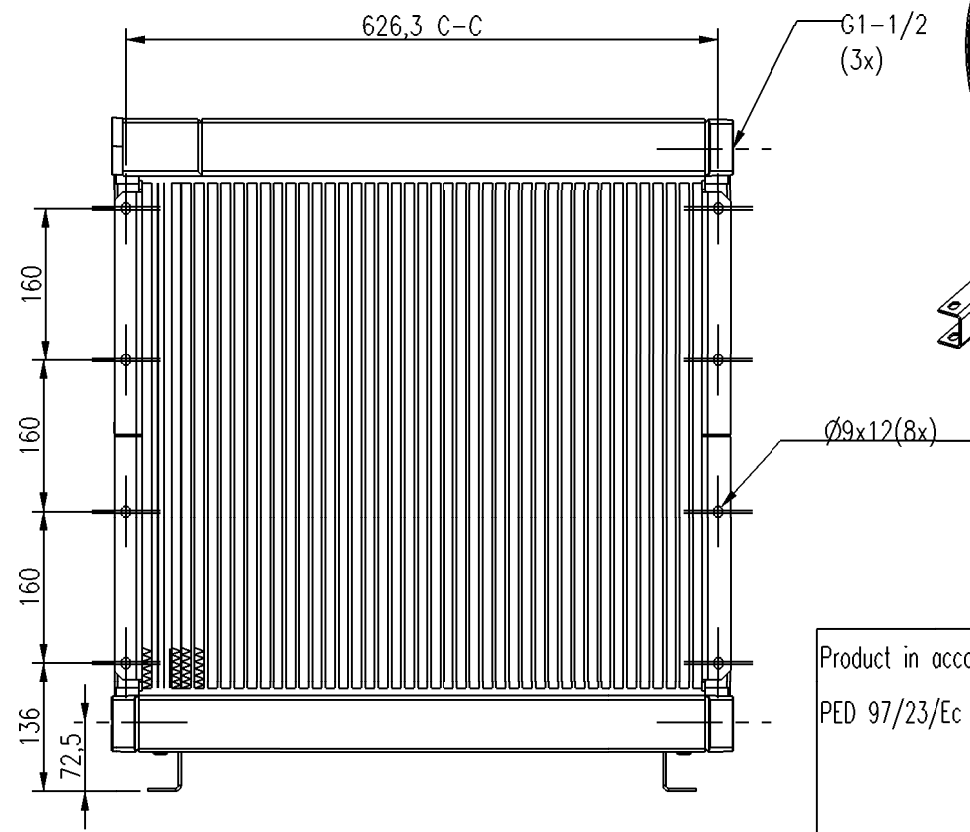
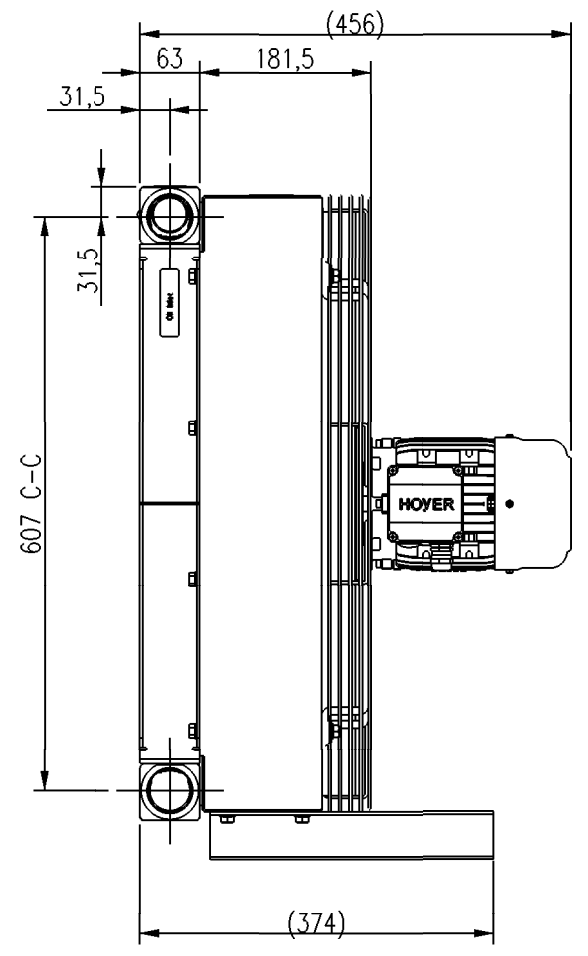
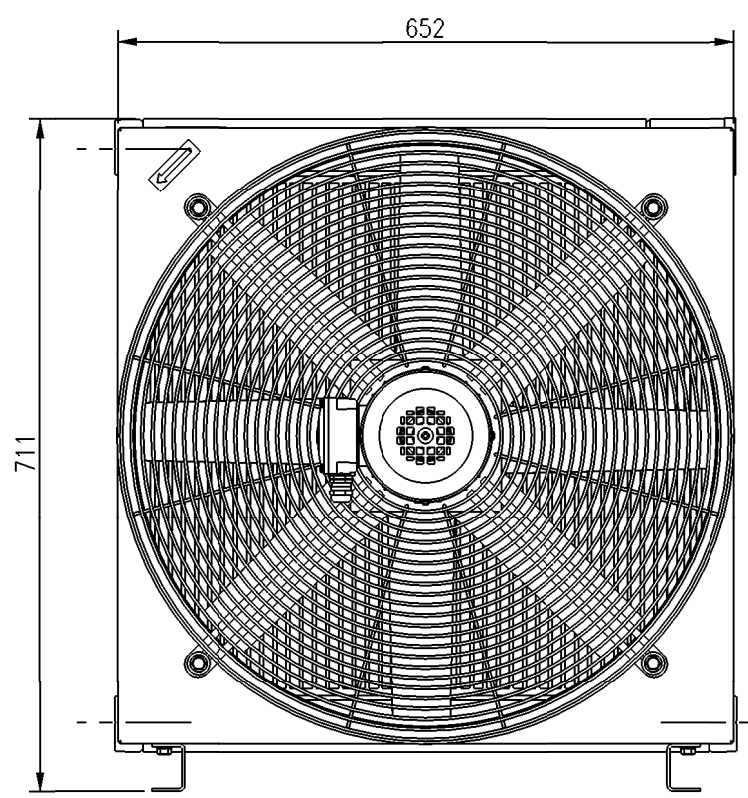
Prod. no.: DATE:

Customer ID. NO.:

Nissens part no.:

TEST PRES: psi(bar)	-	OIL: 30	AIR: -	WATER: -
MAX PRES: psi(bar)	-	20	-	-
MIN/MAX TEMP: °F(°C)	-	125	-	-

Made by Nissens



Product in accordance with the following directives:
PED 97/23/Ec Article 3, part 3

Surface treatment	Mass
- Alu Grey, Steel Black	38 [kg]
Pressure testing	Tolerance class
According to random sampling	ISO 2768-v

Revision change			Special Characteristics	
-			Ⓢ	
Revision date	Revised by	Project ID	Status	
-	-	-	In Work	
Creation date	Created by	Customer	Part no.	
03.11.14	IVJ	-	270189	
NISSENS A/S DK - 8700 HORSSENS TEL: (+45) 7626 2626 WWW.NISSENS.COM		Description		Draw no.
		HP050-1/WI/R3/BSP/AC50/400-6/S		062942-00
		Format		Scale
		A3		1:10