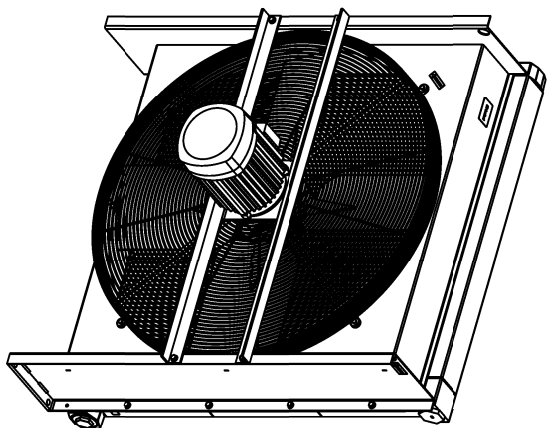
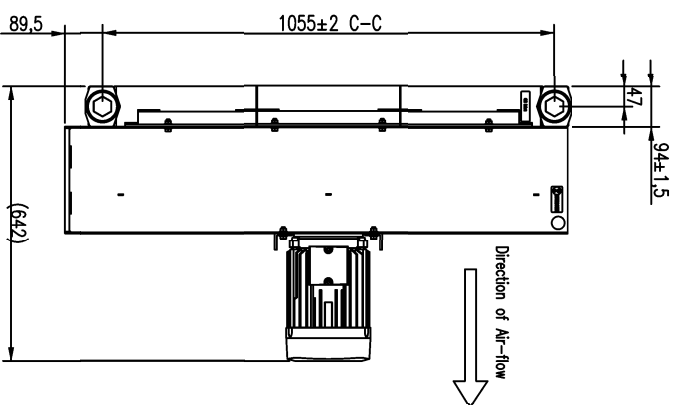
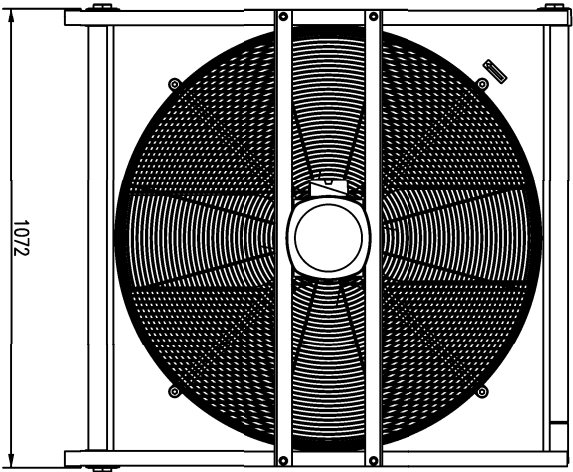
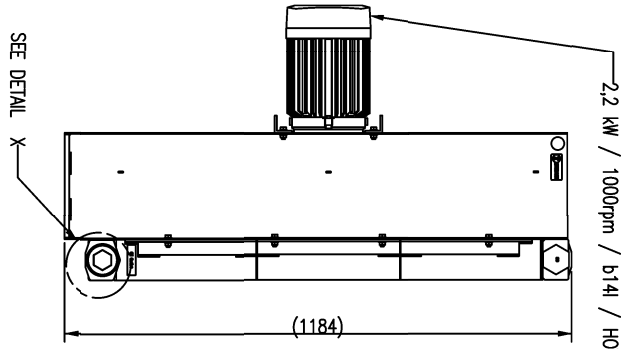
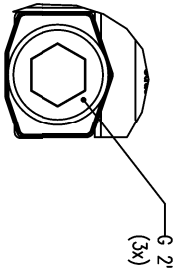


DETAIL X
SCALE 1:4



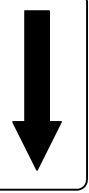
Product in accordance with the following directives:
PED 97/23/Ec Article 3, part 3

Surface treatment:
Alu Grey, Steel Black -
Pressure testing
According to random sampling



Oil Inlet

Oil Outlet



FAN ROTATION

Nissens Nissens A/S
Tlf. 45 76 26 26 26
FAX: 45 75 64 62 66

PROD. NO.: DATE:

ID. NO.:

TEST PRESS. (bar)	FUEL:	Oil:	AIR:	WATER:
MAX. PRESS. (bar)	—	20	—	—
MAX. TEMP. (°C)	—	125	—	—

Made by Nissens

CONFIDENTIAL INFORMATION
This document is the property of Nissens A/S and it may not be distributed without the prior written consent by Nissens A/S

Revision change	Revision date	Revision by	Project ID
—	—	—	—
Creation date	24.03.15	Created by	KAC
Customer	—	Description	HP100-1/ML/R3/BSP/AC50/400-6/S
Customer	—	Material	A3
Scale	2:25	Part no.	270170
Drw. no.	067709-00	Status	In Work
Mass	140 kg	Tolerance class	ISO 2768-V