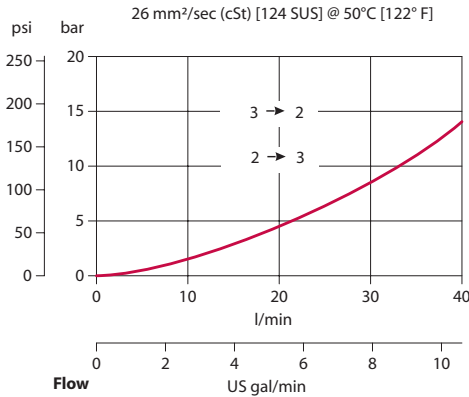


OPERATION

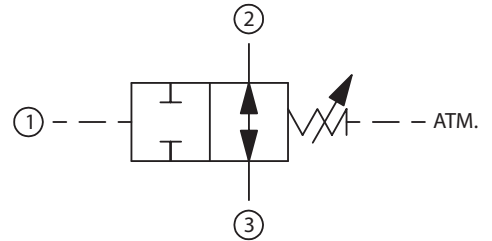
This is a direct-acting, normally-open, spool-type sequence valve with external pilot and atmospheric vent.

SPECIFICATIONS

Theoretical performance



Schematic



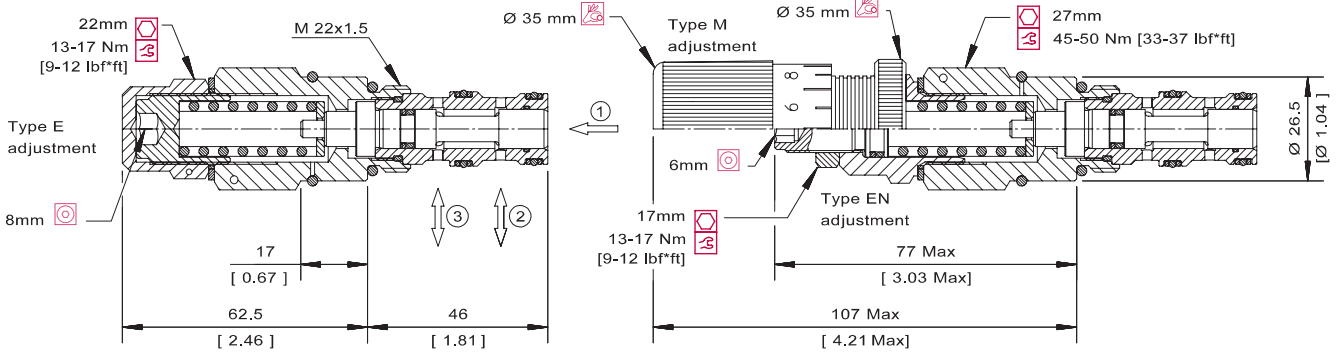
Specifications

Rated pressure	315 bar [4500 psi]
Rated flow at 7 bar [100 psi]	25 l/min [7 US gal/min]
Weight	0.26 kg [0.57 lb]
Cavity	NCS06/3

DIMENSIONS

mm [in]

Cross-sectional view



ORDERING INFORMATION

VDP 06 / NA - EN - 1 - 00 - V

Type of adjustment
 E = Internal screw
 EN = External screw
 M = Handwheel

Setting range
 1 = 15-40 bar [217-580 psi]
 2 = 30-120 bar [435-3046 psi]
 3 = 105-190 bar [1523-2756 psi]

To order this valve with a specific factory setting, contact your Comatrol representative

Seals
 V = Viton
 Omit = Buna-N

Seal kit
 230000590
 230000430

Housing and ports
 00 = No Housing
 SE3/8 = AL, 3/8 BSP
 SE1/2 = AL, 1/2 BSP
 SE6S = AL, #6 SAE
 SE8S = AL, #8 SAE
 Other housings available

Housing P/N
 No Housing
 NCS06/3-SE-3/8
 NCS06/3-SE-1/2
 NCS06/3-SE-6S
 NCS06/3-SE-8S