

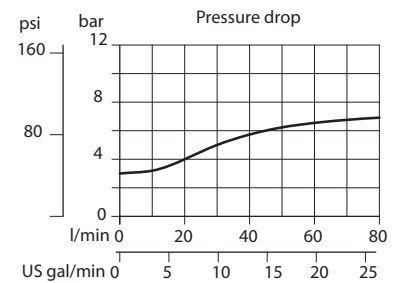
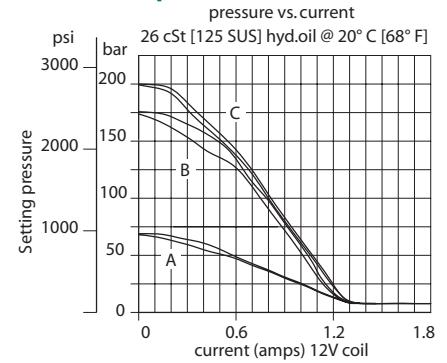
**OPERATION**

This is a normally-closed, pilot-operated, proportional relief valve.

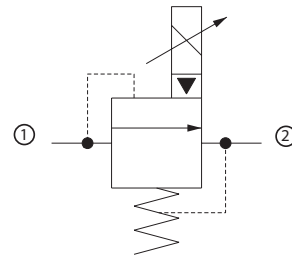
**SPECIFICATIONS**

<b>Rated pressure</b>	250 bar [3600 psi]
<b>Rated flow</b>	76 l/min [20 US gal/min]
<b>Weight</b>	0.53 kg [1.17 lb]
<b>Hysteresis</b>	10% maximum
<b>Threshold current</b>	0 A (12 VDC coil) 0 A (24 VDC coil)
<b>Maximum control current</b>	1.4 A (12 VDC coil) 0.7 A (24 VDC coil)
<b>Cavity</b>	SDC10-2
<b>Standard Coil</b>	M19P 22 Watt

**Theoretical performance**



**Schematic**



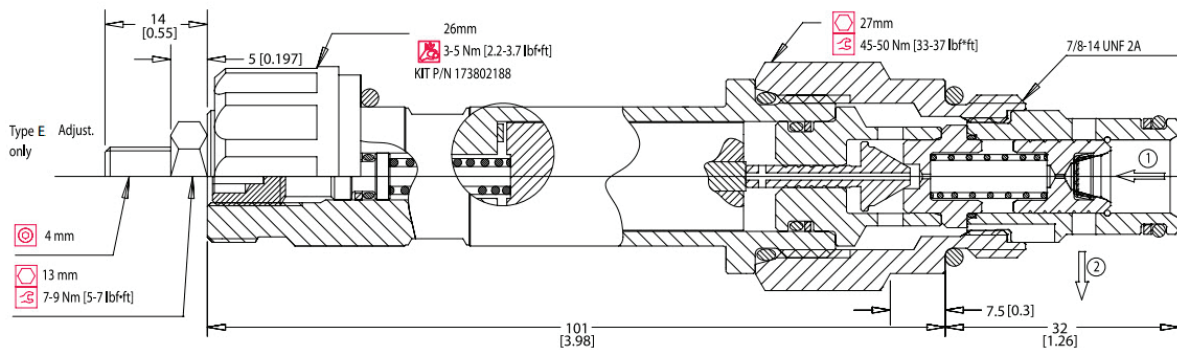
Cross-sectional view

**DIMENSIONS**

mm in

mm in

Cross-sectional view



**ORDERING INFORMATION**

PRV10 - POC\* - 215 - C - 12D - DE - E - B - 00

Proportional Pressure Relieving Valve, Pilot Operated, Normally Closed, 10 Size Cavity		Body & Ports		Body Nomenclature	
<b>Code</b>	<b>Crack Pressure (Standard Settings)</b>	00 = No housing	No Body	65 = Al, #6 SAE	CP10-2-6S
65	65 bar [800 psi] Range A	65 = Al, #8 SAE	CP10-2-8S	DG3B = Al, 3/8 BSP	SDC10-2-DG3B
135	135 bar [1960 psi] Range B	DG4B = Al, 1/2 BSP	SDC10-2-DG4B	Other housings available	
215	215 bar [3120 psi] Range C				
<b>Code</b>	<b>Pressure Range</b>	<b>Code</b>	<b>Coil Voltage</b>	<b>Code</b>	<b>Coil Termination</b>
A	25 - 65 bar [360 - 940 psi]	00	No Coil	E	External
B	65 - 155 bar [940-2250 psi]	12D	12V DC	F	Tamper Resistant
C	155 - 215 bar [2250-3120 psi]	24D	24 V DC	H	Hidden
<b>Code</b>	<b>Coil Voltage</b>	<b>Code</b>	<b>Coil Termination</b>	<b>Code</b>	<b>Adjustment Options</b>
00	No Coil	AJ	Amp Junior	B	Buna-N
12D	12V DC	DE	Deutsch	V	Viton
24D	24 V DC	DN	DIN 43650	Seal Kit 354000719 354000819	

\*PRV10-IS2 is the same valve as PRV10-POC, with the following differences:  
1) The -IS2 uses the M19P-12L or M19P-24L coil (low power) and 2) the pressure is set at a higher flow.  
The IS2 is designed specifically for fan drive applications where the valve is in a hot ambient engine compartment.

Proportional Valves  
PRV10-POC