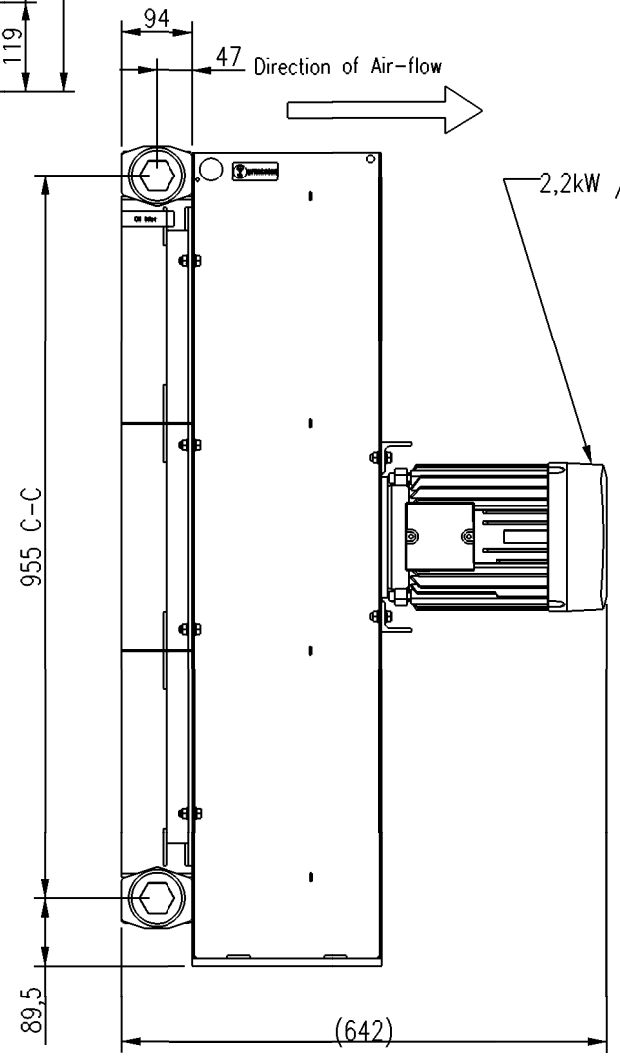
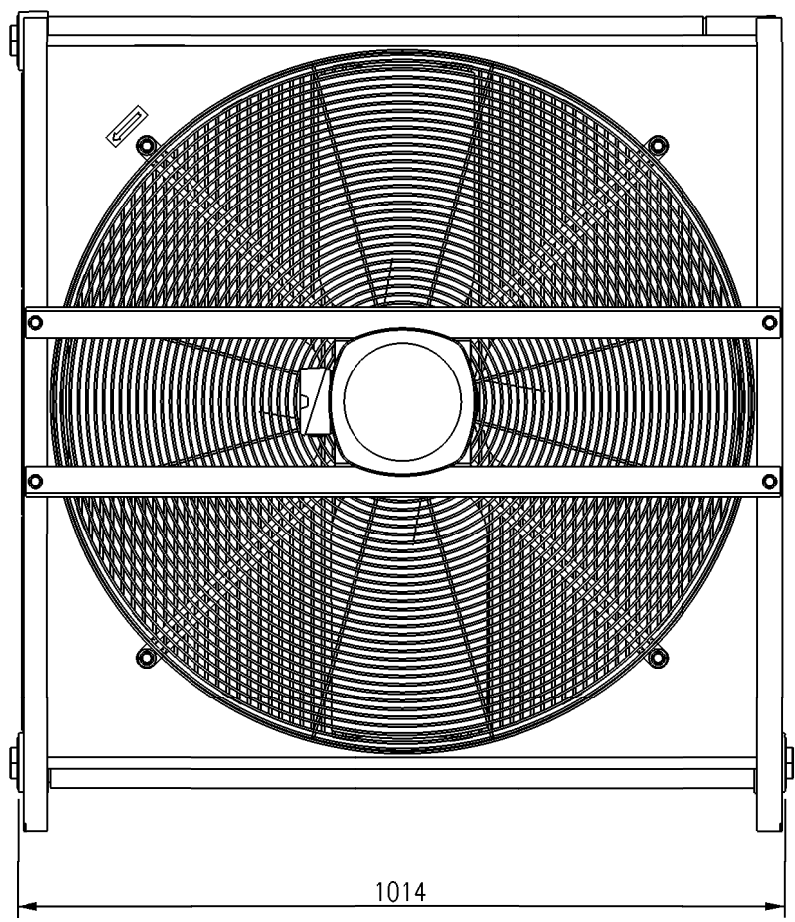
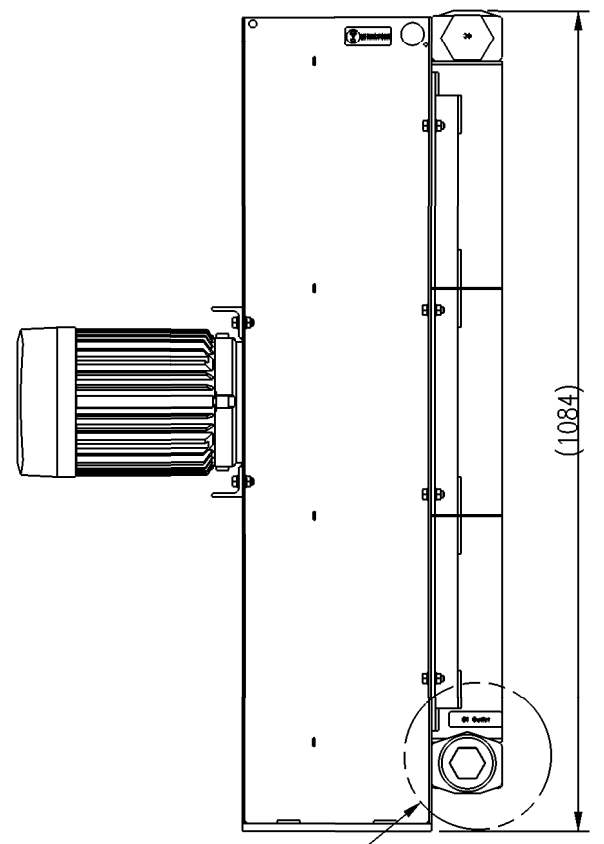
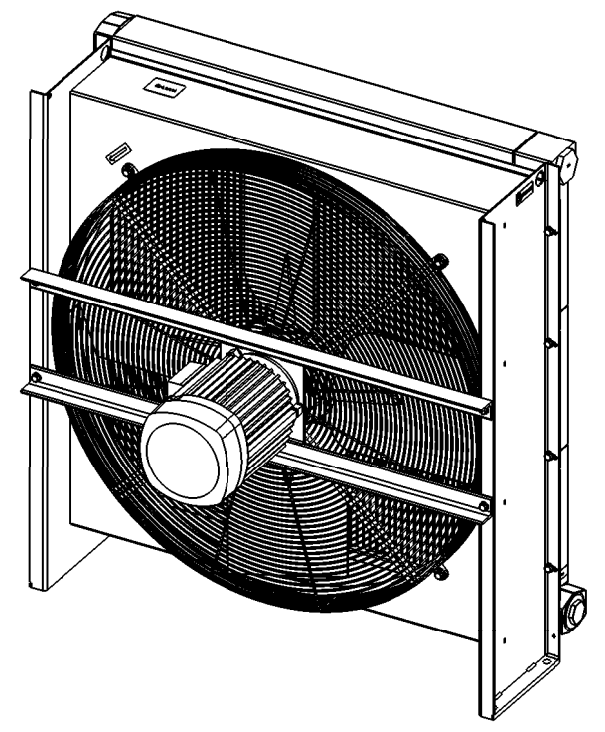


DETAIL X  
SCALE 1:4



2,2kW / 1000rpm / b14I / HOYER / 230/400V / 50Hz / IP55



Product in accordance with the following directives:  
PED 2014/68/EU, Article 4, Part 3

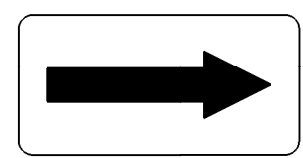
SEE DETAIL X

Surface treatment	Alu Grey, Steel Black -	Mass	294 [kg]
Pressure testing	According to random sampling	Tolerance class	ISO 2768-v



Oil Inlet

Oil Outlet



FAN ROTATION

**Nissens** Nissens A/S  
TEL. 45 76 26 26 26  
FAX. 45 76 26 26 04

Prod. no.:  DATE:

Customer ID. NO.:

Nissens part no.:

	OIL:	AIR:	WATER:
TEST PRES: (bar)	- 30	-	-
MAX PRES: (bar)	- 20	-	-
MIN/MAX TEMP: ( °C)	- 125	-	-

Made by Nissens

Revision change		
Revision date	Revised by	Project ID
Creation date	Created by	Customer
11.03.15	KAC	

NISSENS A/S  
DK - 8700 HORSSENS  
TEL: (+45) 7626 2626  
WWW.NISSENS.COM

**Nissens**

Description	HP090-1/WI/R3/BSP/AC50/400-6/S
Format	A3
Scale	1:10

Special Characteristics	Ⓢ
Status	In Work
Part no.	270146
Drw no.	067120-00