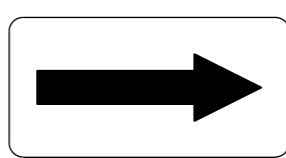
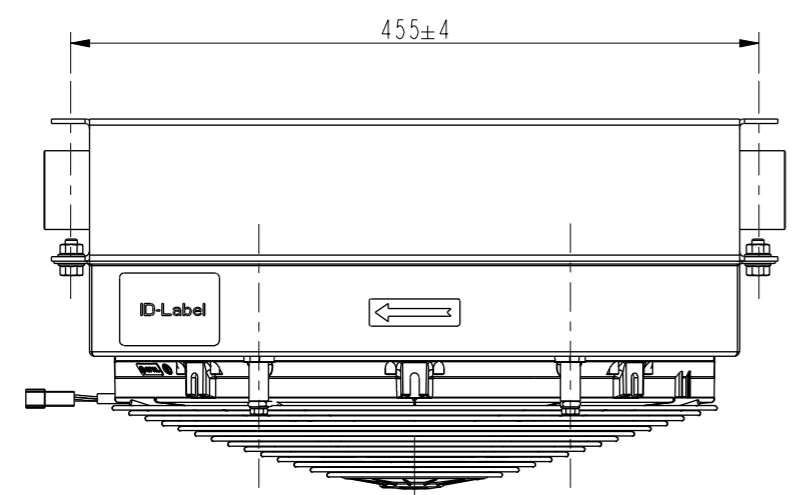
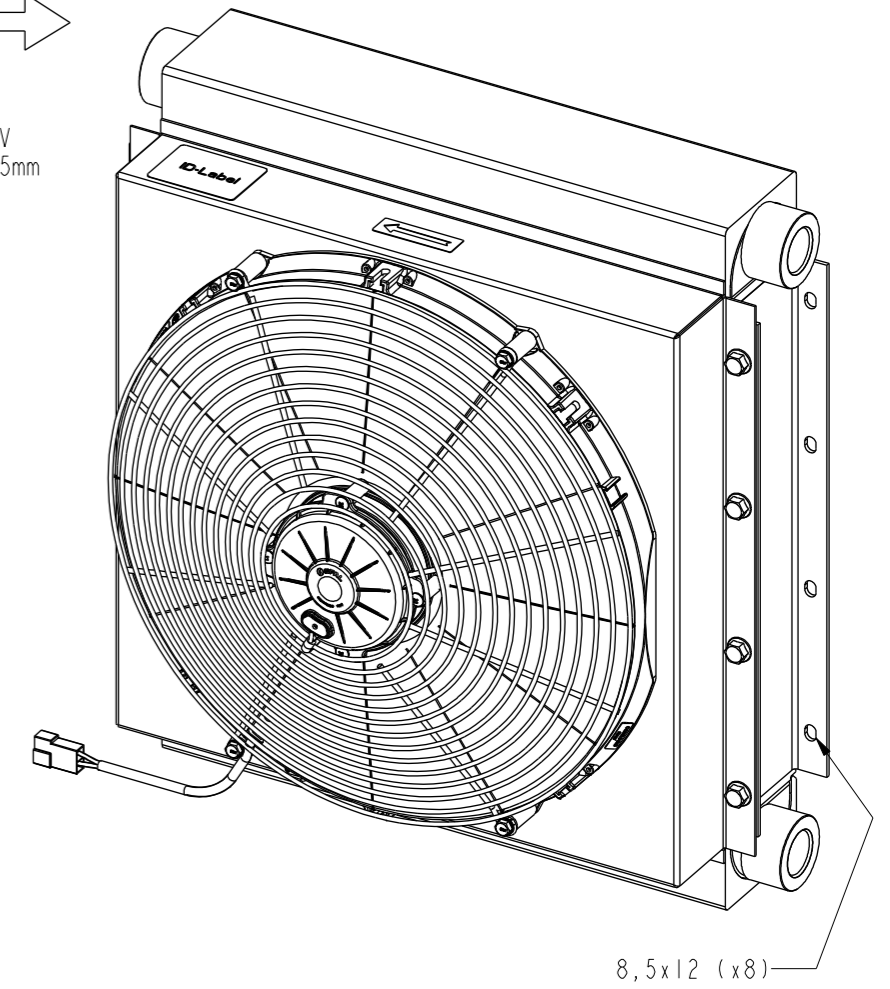


Direction of Air-flow

MOTOR 24V
 FAN ø 385mm



FAN ROTATION

Product in accordance with the following directives:
 PED 97/23/Ec Article 3, part 3

Surface treatment	Mass
Alu Grey, Steel Black -	23 [kg]
Pressure testing	Tolerance class
According to random sampling	ISO 2768-v

HAINZL
INDUSTRIESYSTEME

PROD. NO: DATE:

ID. NO:

TEST PRES: (bar)	FUEL:	OIL:	AIR:	WATER:
-	-	30	-	-
MAX PRES: (bar)	-	20	-	-
MAX TEMP: (°C)	-	-	-	-

Made by Nissens

Revision change			Project ID Projekt no. 4986 - HP40-2/24V
Revision date	Revised by	-	
Creation date	Created by	ADA	Customer HAINZL INDUSTRIESYSTEME
09.12.09			Description Cooler system block
Nissens A/S DK - 8700 HORSSENS TEL.: (+45) 7626 2626 WWW.NISSENS.COM			Format A3
Nissens			Scale 1:5

Special Characteristics	Status In Work
Ⓢ	
Part no.	202468
Draw no.	036839-00