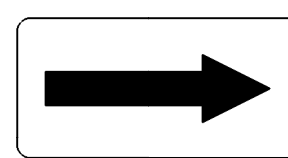
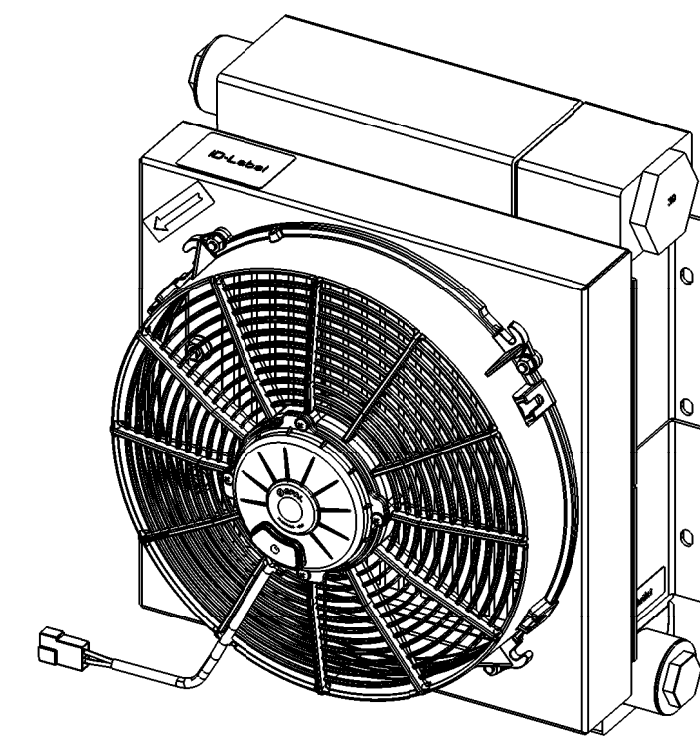


Conector type F AMP p/n 180908
Male terminals type B AMP p/n 42098-2



FAN ROTATION

Oil Inlet

Oil Outlet

Nissens Nissens A/S
TEL. 45 76 26 26 26
FAX. 45 76 26 26 04

Prod. no: DATE:

Customer ID. NO.:

Nissens part no.:

TEST PRES: (bar)	FUEL: -	OIL: 30	AIR: -	WATER: -
MAX PRES: (bar)	-	20	-	-
MIN/MAX TEMP: (°C)	-	125	-	-

Made by Nissens

Product in accordance with the following directives:
PED 2014/68/EU, Article 4, Part 3

Surface treatment	Mass
Alu Grey, Steel Black -	15 [kg]
Pressure testing	Tolerance class
According to random sampling	ISO 2768-v

Revision change			Special Characteristics	
-			①	
Revision date	Revised by	Project ID	Status	In Work
Creation date	Created by	Customer	Part no.	270015
01.10.14	KAC		Drw no.	062421-00
NISSENS A/S DK - 8700 HORSSENS TEL: (+45) 7626 2626 WWW.NISSENS.COM		Nissens		HP020-1/WL/R3/BSP/DC--/00024/S
		A3		Scale 1:4