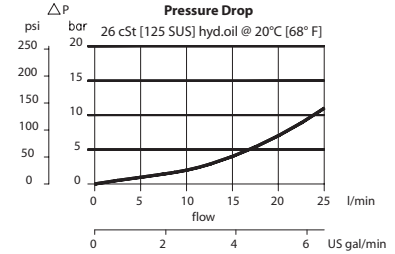


OPERATION

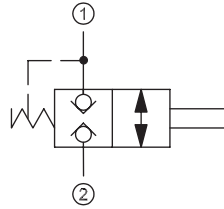
This is a normally-closed, manually-operated, bi-directional poppet valve.

Theoretical performance

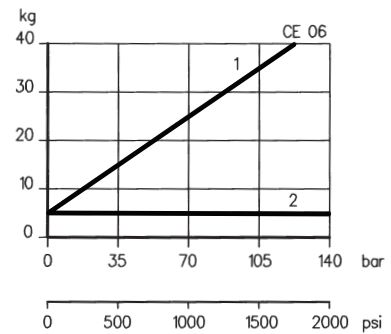


SPECIFICATIONS

Schematic



Force required to operate override

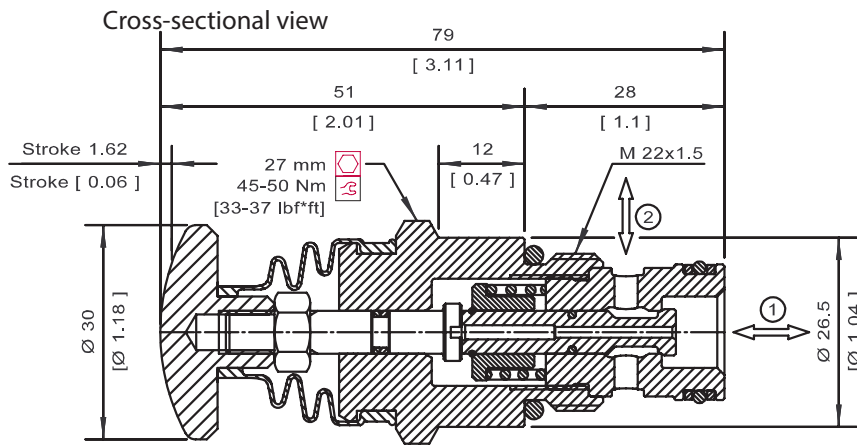


Specifications

Rated pressure	315 bar [4500 psi]
Rated flow at 7 bar [100 psi]	20 l/min [5 US gal/min]
Weight	0.20 kg [0.44 lb]
Cavity	NCS06/2

DIMENSIONS

mm [in]



ORDERING INFORMATION

CE 06 - 00 - V

Seals
 V = Viton Seal kit 230000380
 Omit = Buna-N Seal kit 230000060

Housing and ports
 00 = No Housing
 DG3/8 = AL, 3/8 BSP
 DG1/2 = AL, 1/2 BSP
 DG6S = AL, #6 SAE
 DG8S = AL, #8 SAE
 Other housings available

Housing P/N
 No Housing
 NCS06/2-DG-3/8
 NCS06/2-DG-1/2
 NCS06/2-DG-6S
 NCS06/2-DG-8S