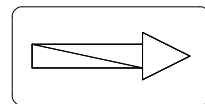
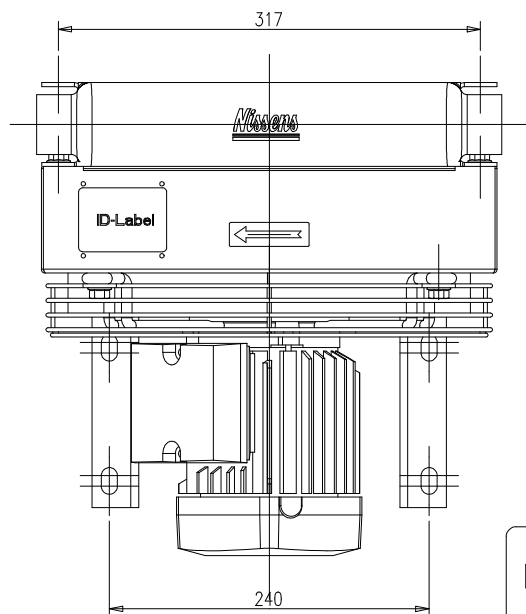
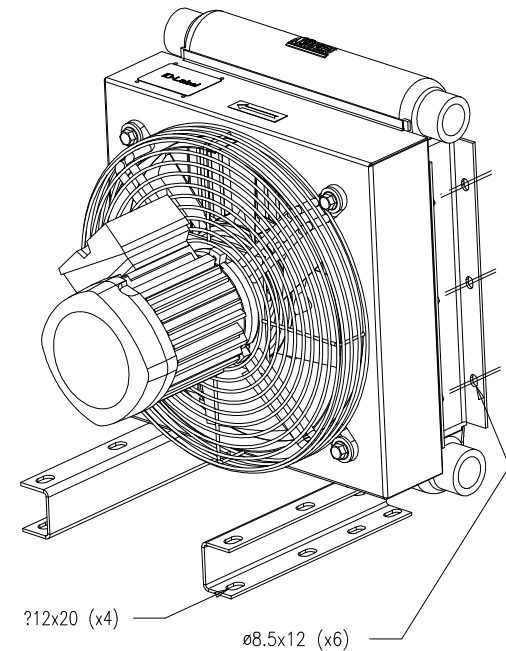


Direction of Air-flow

MOTOR 0,25kw 1350 RPM  
 FAN ° 290mm



FAN ROTATION

**HAINZL®**

0 0 8 2 0 1 0 2 7 3 9 7

PROD.NO: [ ] DATE: [ ]  
 ID.NO: 227397  
 FUEL: [ ] OIL: [ ] AIR: [ ] WATER: [ ]  
 TEST PRES: (bar) [ ] 30 [ ] [ ] [ ]  
 MAX PRES: (bar) [ ] 20 [ ] [ ] [ ]  
 MAX TEMP: (°C) [ ] [ ] [ ] [ ]  
 Made by Nissens

Product in accordance with the following directives:

Surface treatment	Mass
-	18 [kg]
Pressure testing	Tolerance class
According to random sampling	ISO 2768-c

Revision change				Special Characteristics	
-				Ⓢ	
01: Dimensions added					
Revision date	Revised by	Project ID	Status		
09.02.11	HSL	227397 - HP10-1/400V	PreProduction Change		
Creation date	Created by	Customer	Part no.		
14.01.10	JEL/MT	HAINZL INDUSTRIESYSTEME	202385		
Description			Draw no.		
Cooler system block			035550-01		
Format		Scale			
A3		1:4			