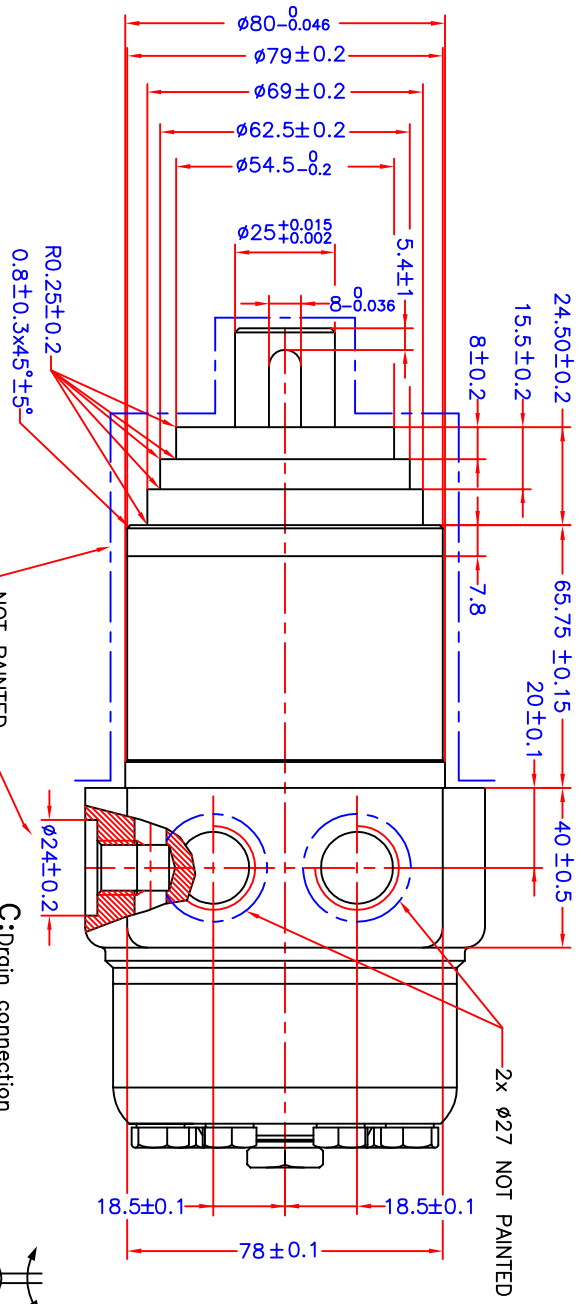
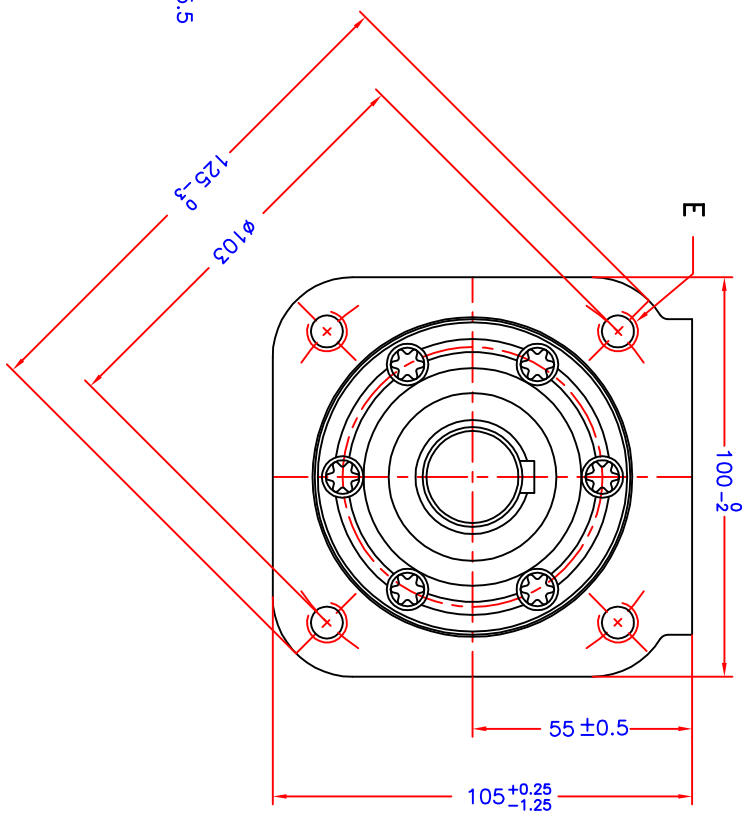
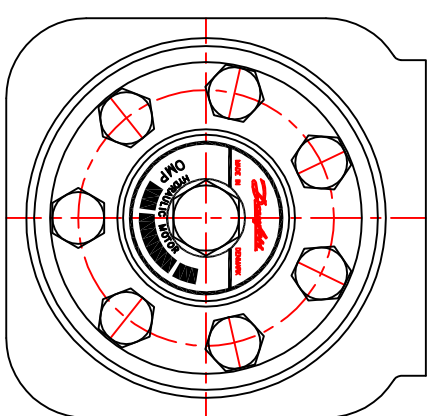


The motor are painted to the following specification:
 Indication: Polyester powder without volatile organic compounds.
 Thickness: 80 – 100 μm
 Colour: Ral 9011 (Black)
 Corrosion class: 3 acc. 500B0319, DS 412 and DS/R 454
 When the polyester coating are to paint over, please contact the Danfoss Sales Organisation.



C: Drain connection
 G 1/4; 13 mm deep
 D: G 1/2; 15 mm deep
 E: M10; 20 mm deep (4 off)



Designation Hydraulic motor w cyl. ø25 shaft Spec. flange, Black painted				Code No. 151-7171		Date 99.03.13 Printed 99.10.06	Drawing No. 8_151-7171_7
Type	Approb.	Sign.	Code No.	Date	Printed		
OMPW 200		PRC	151-7171	99.03.13	99.10.06		

Confidential property of Danfoss Nordborg, Denmark. Not to be handed over to, copied or used by third party.
 Danfoss Nordborg, Denmark
 These notes that this drawing will not be revised unless the drawing specifications are changed or unless the drawing is revised.
 Drawing No. 8_151-7171_7