

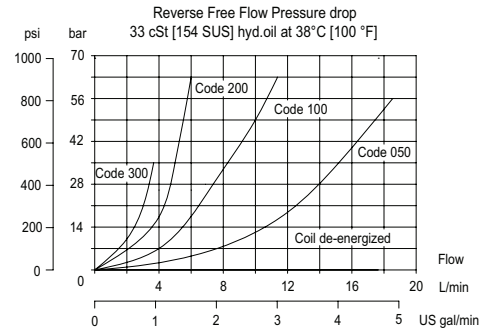
OPERATION

This is a direct-acting normally-open, proportional relief valve.

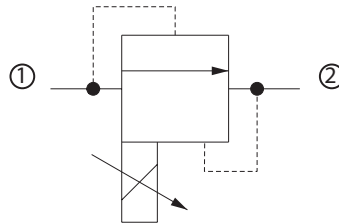
SPECIFICATIONS

Rated pressure	210 bar [3000 psi]
Rated flow	8 l/min [2 US gal/min]
Weight	0.48 kg [1.06 lb]
Hysteresis	10% maximum
Threshold current	0 A (12 VDC coil) 0 A (24 VDC coil)
Maximum control current	1.2 A (12 VDC coil) 0.6 A (24 VDC coil)
Cavity	SDC08-2
Standard Coil	D10 30 Watt
Coil nut	321978

Theoretical performance



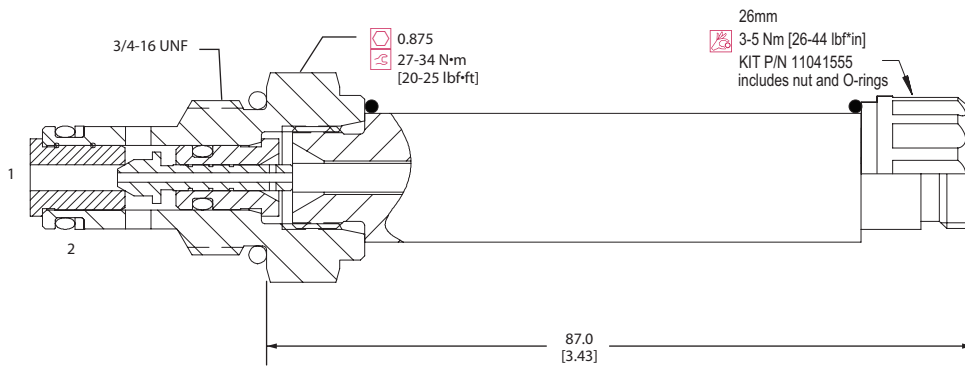
Schematic



DIMENSIONS

mm in

Cross-sectional view



ORDERING INFORMATION

CP558 - 20 - B - 6S - 300 - 24D - H

Seals
 B = Buna-N
 V = Viton

Housing and ports
 0 = No Housing
 DG2B = AL, 1/4 BSP
 DG3B = AL, 3/8 BSP
 4S = AL, #4 SAE
 6S = AL, #6 SAE
 Other housings available

Seal kit
 120221
 120222

Housing P/N
 No Housing
 SDC08-2-DG-2B
 SDC08-2-DG-3B
 CP08-2-4S
 CP08-2-6S

Voltage
 000 = No coil
 12D = 12 VDC coil
 24D = 24 VDC coil

Pressure code
 050 = 35 bar [500 psi] max
 100 = 69 bar [1000 psi] max
 200 = 138 bar [2000 psi] max
 300 = 207 bar [3000 psi] max

Termination
 00 = No connector
 H = DIN 43650
 L = Lead wires
 DE = Deutsch
 M2 = Metripack 150 Type 1
 S = Spade

Proportional Valves
 CP558-20