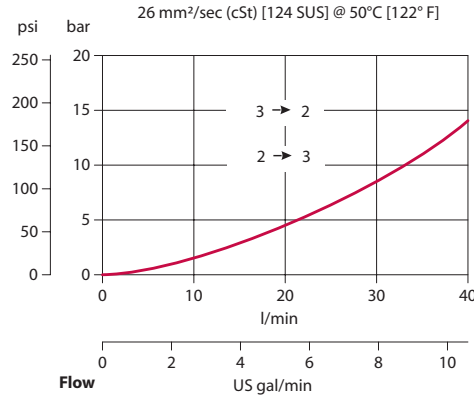


OPERATION

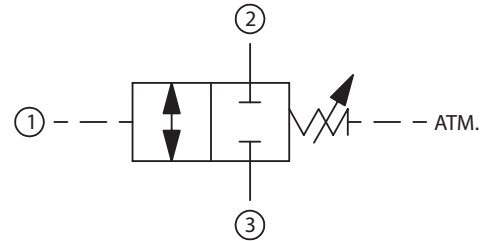
This is a direct-acting, normally-closed, spool-type sequence valve with external pilot and atmospheric vent.

SPECIFICATIONS

Theoretical performance



Schematic



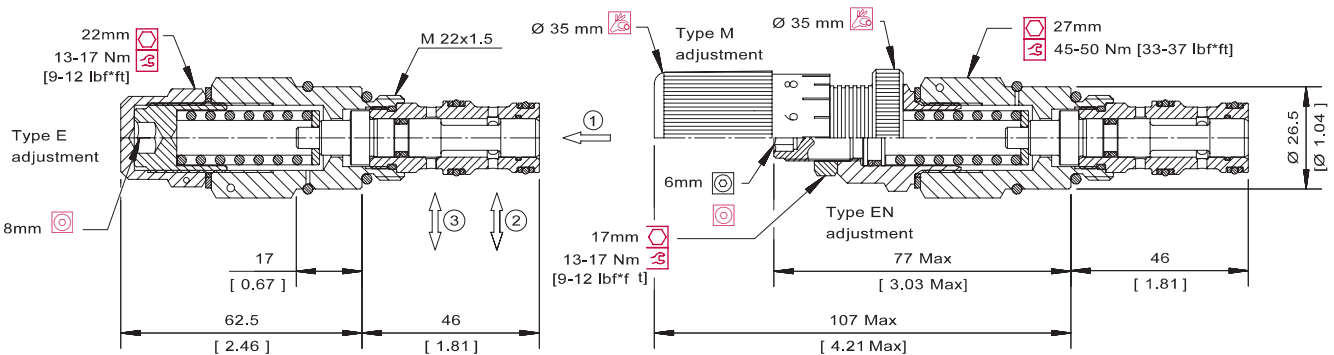
Specifications

Rated pressure	315 bar [4500 psi]
Rated flow at 7 bar [100 psi]	25 l/min [7 US gal/min]
Weight	0.26 kg [0.57 lb]
Cavity	NCS06/3

DIMENSIONS

mm [in]

Cross-sectional view



ORDERING INFORMATION

VDP 06 / NC - EN - 1 - 00 - V

Adjustment

- E = Internal screw
- EN = External screw
- M = Handwheel

Setting range

- 1 = 15-40 bar [217-580 psi]
- 2 = 30-120 bar [435-1740 psi]
- 3 = 105-190 bar [1523-2756 psi]

To order this valve with a specific factory setting, contact your Comatrol representative

Seals

- V = Viton
- Omit = Buna-N

Seal kit

- 230000059
- 230000430

Housing and ports

- 00 = No Housing
- SE3/8 = AL, 3/8 BSP
- SE1/2 = AL, 1/2 BSP
- SE6S = AL, #6 SAE
- SE8S = AL, #8 SAE
- Other housings available

Housing P/N

- No Housing
- NCS06/3-SE-3/8
- NCS06/3-SE-1/2
- NCS06/3-SE-6S
- NCS06/3-SE-8S