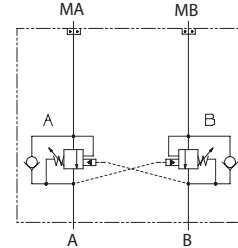


OPERATION

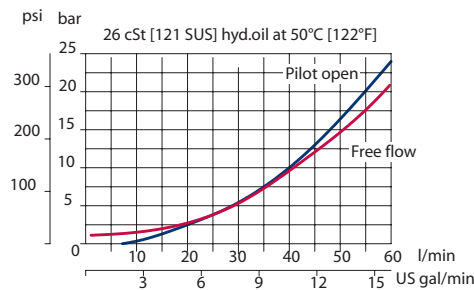
This is a dual-counterbalance HIC that mounts to OMP/OMR motors with BSP porting.

Schematic



SPECIFICATIONS

Theoretical performance



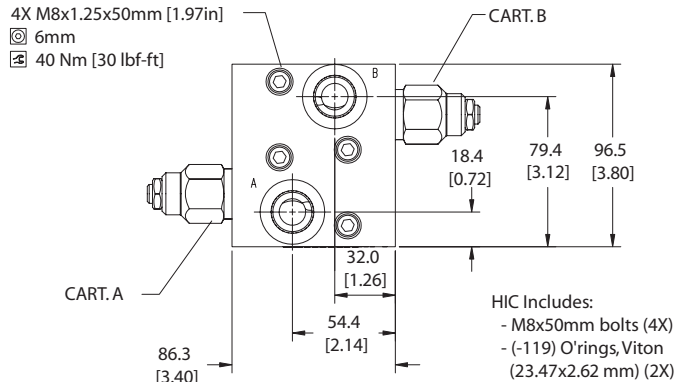
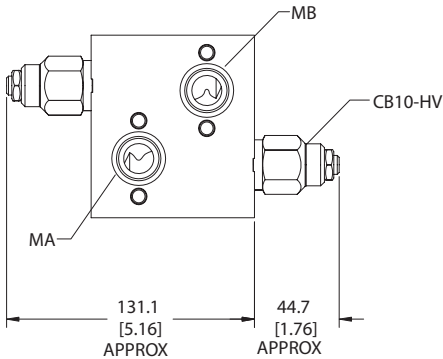
Specifications

| | |
|--------------------------------|-------------------------------------|
| Rated pressure | 210 bar [3045 psi] |
| Rated flow at 22 bar [319 psi] | 60 l/min [16 US gal/min] |
| Leakage | 6 drops/min @ 70% of crack pressure |
| Weight | 1.43 kg [3.15 lb] |
| Pilot ratio | 3.0:1, 4.5:1, 10.0:1 |
| Cartridge | CB10 HV |
| Service mount kit | 11023162 |
| Motor | OMP/OMR |

DIMENSIONS

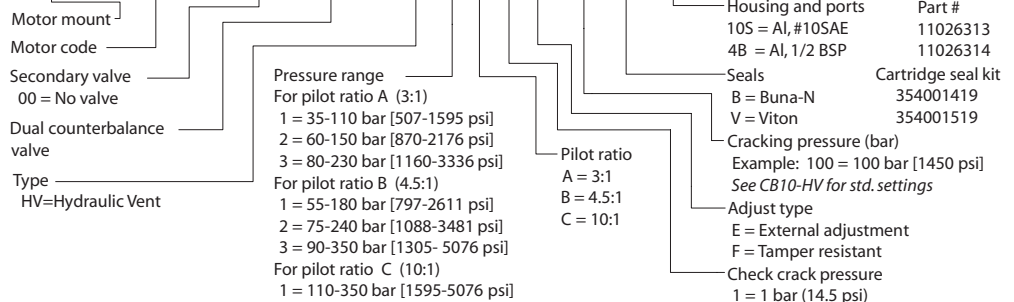
Cross-sectional view

mm [in]



ORDERING INFORMATION

MM-OMP/OMR-00-DCB10-HV-1-C-1-E-100-B-10S



MM - Motor Mount HICs Catalog
 MM-OMP/OMR-00-DCB10-HV