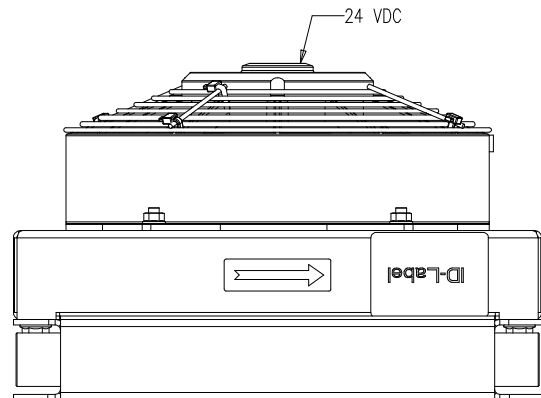


← Air direction



HAINZL®

PROD.NO: DATE:

ID.NO:

TEST PRES: (bar)	FUEL: -	OIL: 30	AIR: -	WATER: -
MAX PRES: (bar)	-	20	-	-
MAX TEMP: (°C)	-	-	-	-

Made by Nissens

Product in accordance with the following directives:
PED 97/23/Ec Article 3, part 3

Surface treatment	Mass
Alu Grey, Steel Black -	8 [kg]
Pressure testing	Tolerance class
According to random sampling	ISO 2768-v

Revision change			Special Characteristics		
-			Ⓢ		
Revision date	Revised by	Project ID	Status		
		005285 - HP5/1- 24 VDC	In Work		
Creation date	Created by	Customer	Part no.		
22.09.10	MT	HAINZL INDUSTRIESYSTEME GMBH & CO KG	202505		
NISSENS A/S DK - 8700 HORSENS TEL: (+45) 7626 2626 WWW.NISSENS.COM		Description		Draw no.	
Nissens		Cooler system block		037712-00	
Format		Scale			
A3		1:3			