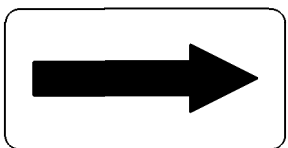


Oil Inlet

Oil Outlet



FAN ROTATION

**Nissens** Nissens Cooling Solution  
 TEL. 704-987-0088  
 FAX. 704-987-0087

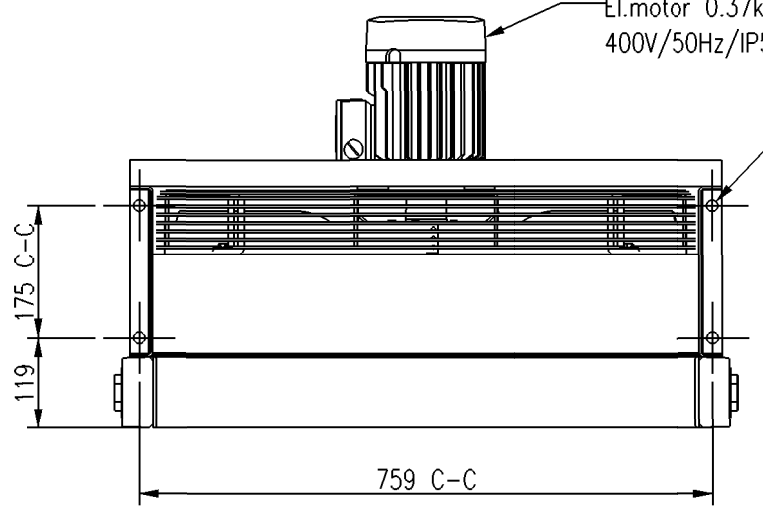
Prod. no:  DATE:   
 Customer ID. NO.:   
 Nissens part no.:

|                      |       |     |       |
|----------------------|-------|-----|-------|
|                      | OIL   | AIR | WATER |
| TEST PRES: psi(bar)  | - 30  | -   | -     |
| MAX PRES: psi(bar)   | - 20  | -   | -     |
| MIN/MAX TEMP: °F(°C) | - 125 | -   | -     |

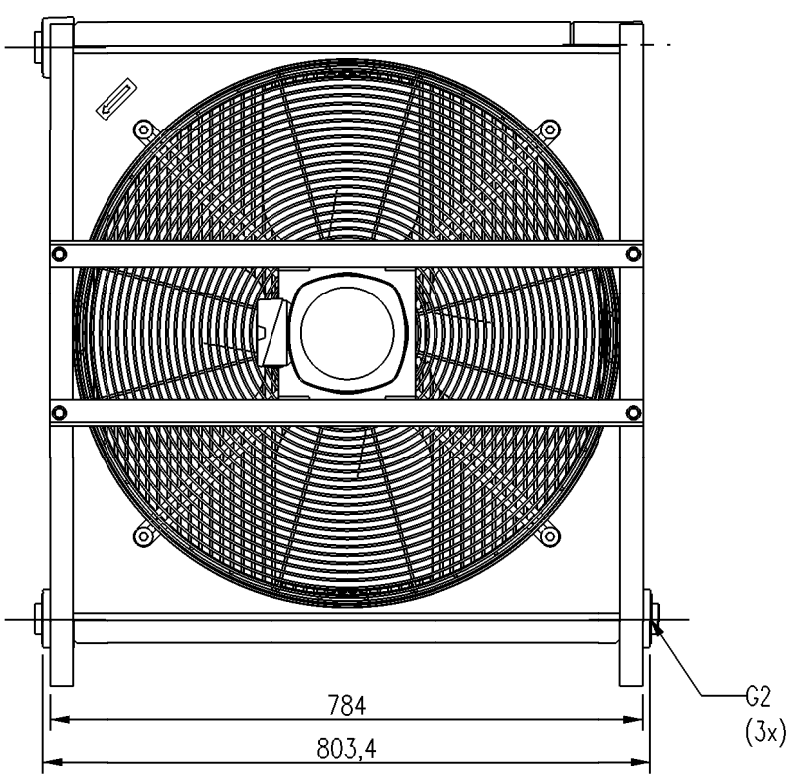
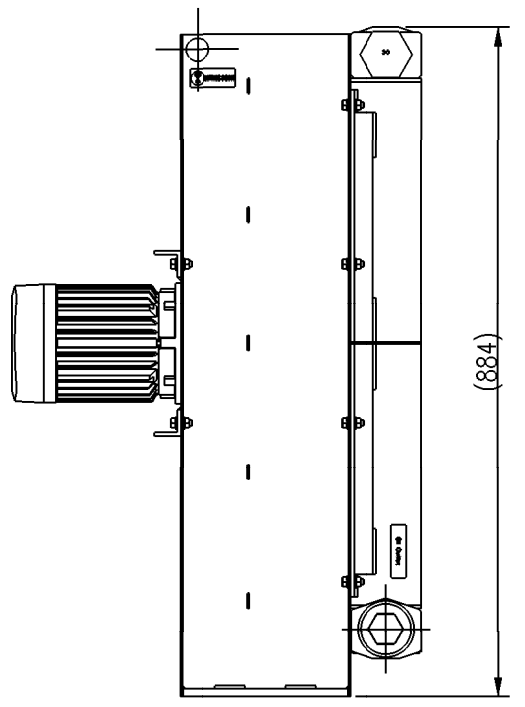
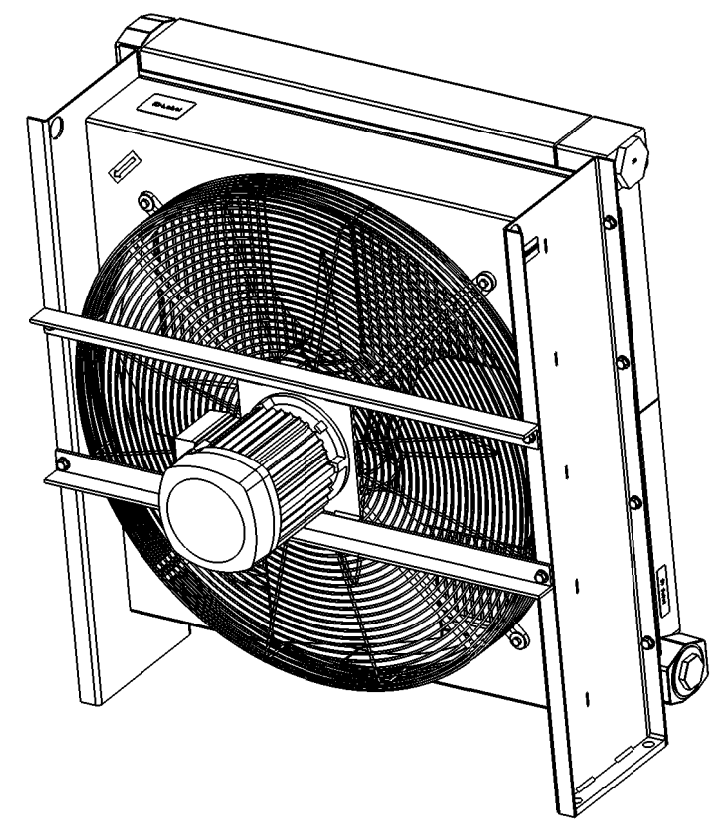
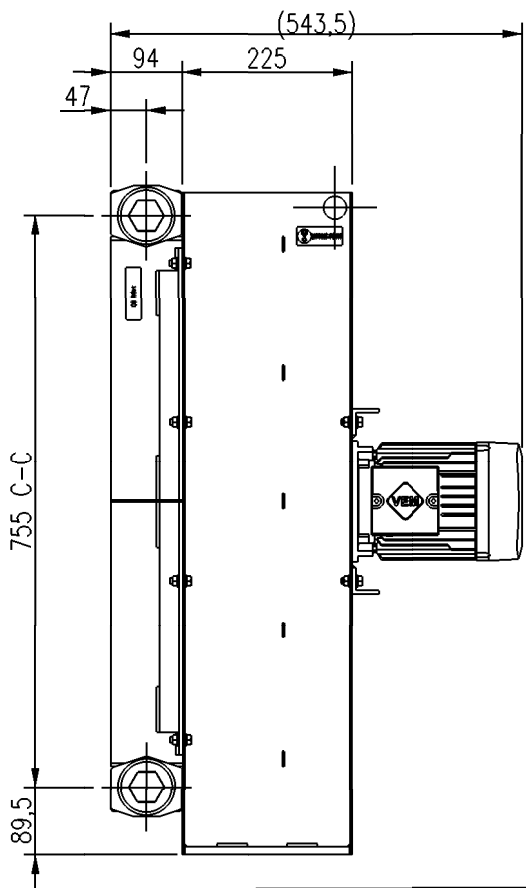
Made by Nissens

El.motor 0.37kW/8-pol/b14/VEM  
 400V/50Hz/IP55

Ø15(4x)



Direction of Air-flow



Product in accordance with the following directives:  
 PED 97/23/Ec Article 3, part 3

|                              |                 |
|------------------------------|-----------------|
| Surface treatment            | Mass            |
| - Alu Grey, Steel Black      | 86 [kg]         |
| Pressure testing             | Tolerance class |
| According to random sampling | ISO 2768-v      |

|  |            |                                |                         |           |
|--|------------|--------------------------------|-------------------------|-----------|
| Revision change  |            |                                | Special Characteristics |           |
| -  |            |                                | ①                       |           |
| Revision date  | Revised by | Project ID                     | Status                  |           |
| -  | -          | -                              | In Work                 |           |
| Creation date  | Created by | Customer                       | Part no.                |           |
| 25.11.14   | IVJ        | -                              | 270708                  |           |
| NISSENS A/S<br>DK - 8700 HORSSENS<br>TEL: (+45) 7626 2626<br>WWW.NISSENS.COM |            | Description                    |                         | Draw no.  |
| Nissens  |            | HP070-1/WI/R3/BSP/AC50/400-8/S |                         | 064140-00 |
| A3   |            | Scale                          |                         |           |
|  |            | 1:10                           |                         |           |