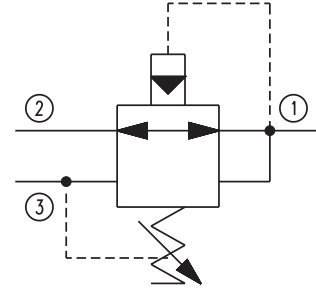


OPERATION

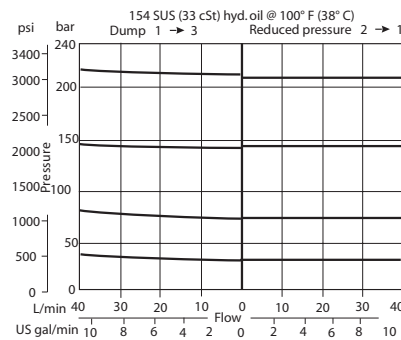
This is a pilot-operated pressure reducing/relieving valve.

Schematic



SPECIFICATIONS

Theoretical performance



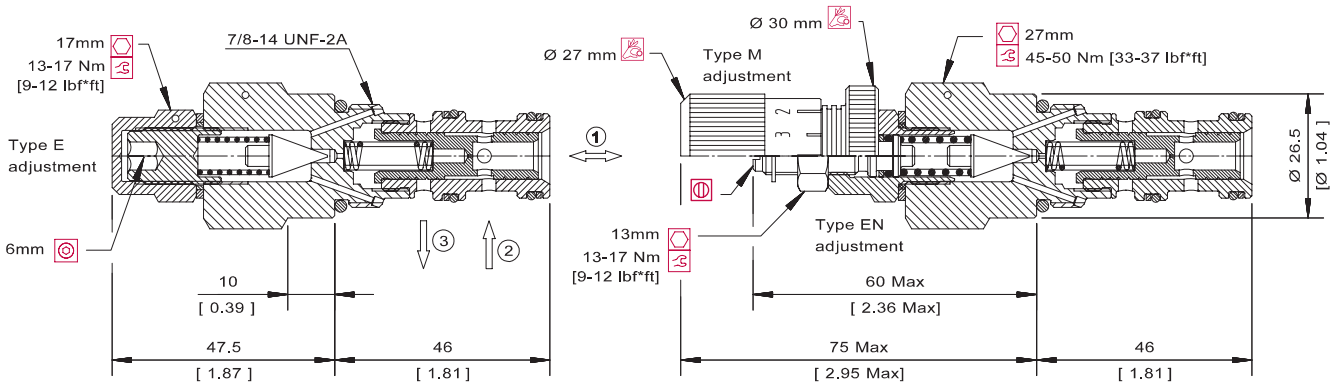
Specifications

Rated pressure	315 bar [4500 psi]
Rated Flow	40 l/min [10 US gal/min]
Weight	0.21 kg [0.46 lb]
Cavity	SDC10-3

DIMENSIONS

mm [in]

Cross-sectional view



ORDERING INFORMATION

PRMP 064 - EN - 1 - SE3/8 - V

Adjustment

E = Internal screw
 EN = External screw
 M = Handwheel

Setting range

1 = 10-70 bar [145-1015 psi]
 2 = 30-140 bar [435-2031 psi]
 3 = 70-210 bar [1015-3046 psi]

Seals

V = Viton 354003719
 Omit = Buna-N 230000070

Seal Kit

Housing and ports

00 = No Housing No Housing
 SE3B = Al, 3/8 BSP SDC10-3-SE-3B
 SE4B = Al, 1/2 BSP SDC10-3-SE-4B
 6S = Al, #6 SAE CP10-3-6S
 8S = Al, #8 SAE CP10-3-8S

Other housings available

To order this valve with a specific factory setting, contact your Sauer-Danfoss representative