

FAN ROTATION

Oil Outlet

Oil Inlet

Nissens Nissens Cooling Solution
 TEL. 704-987-0088
 FAX. 704-987-0087

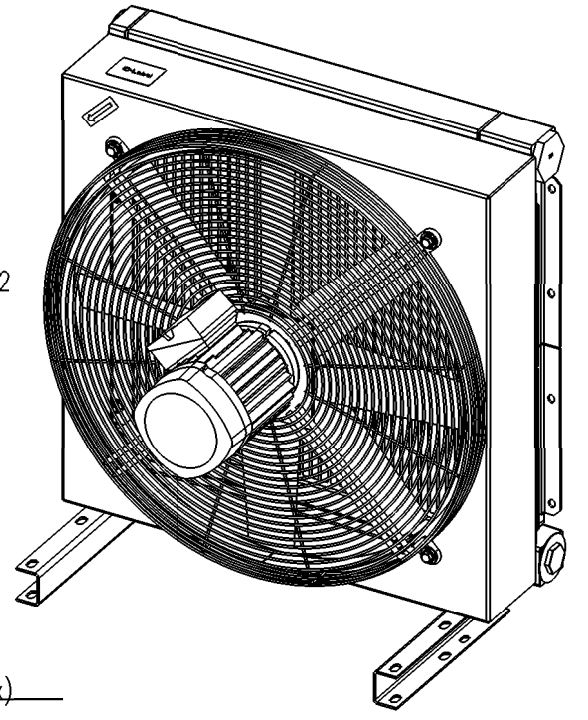
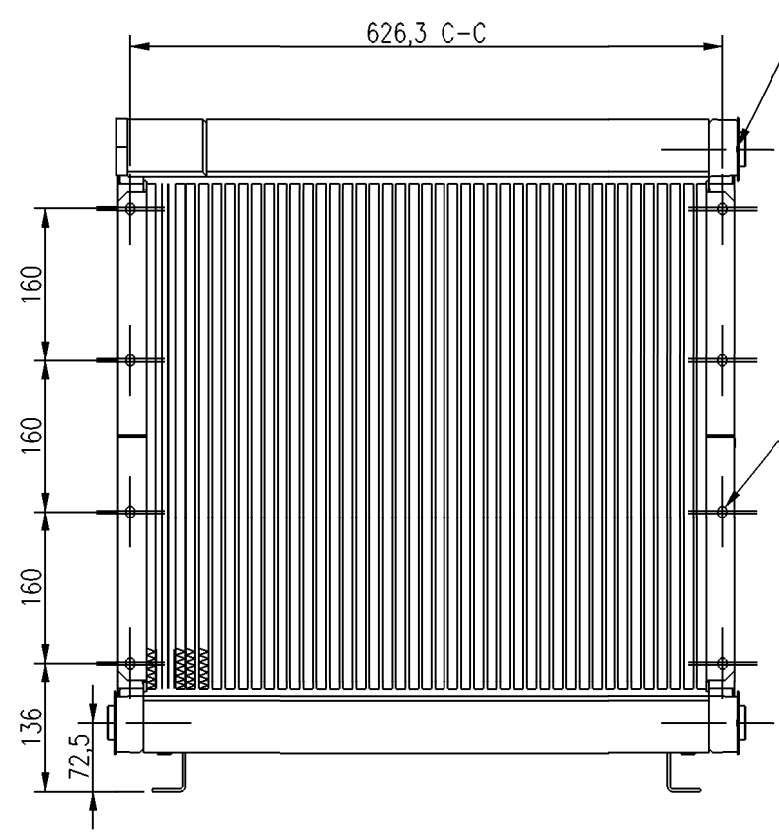
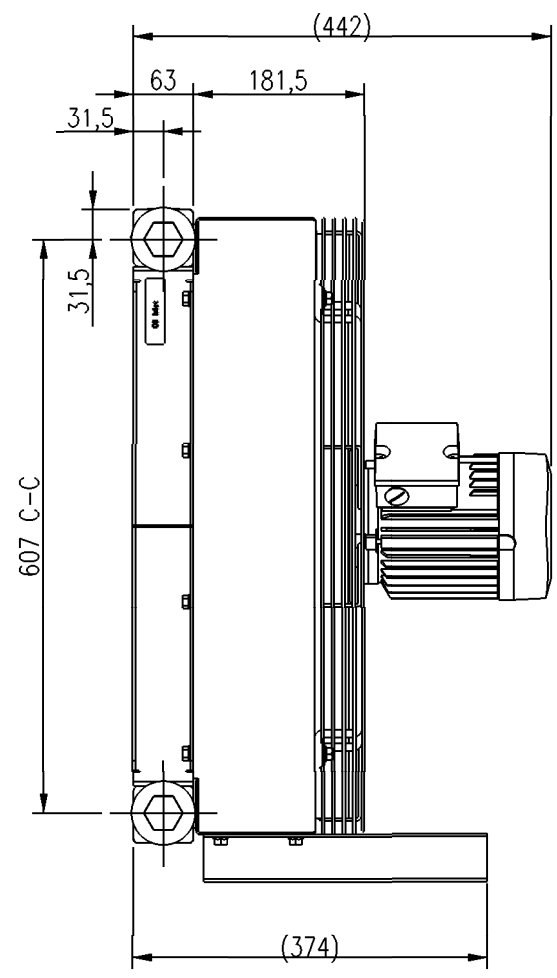
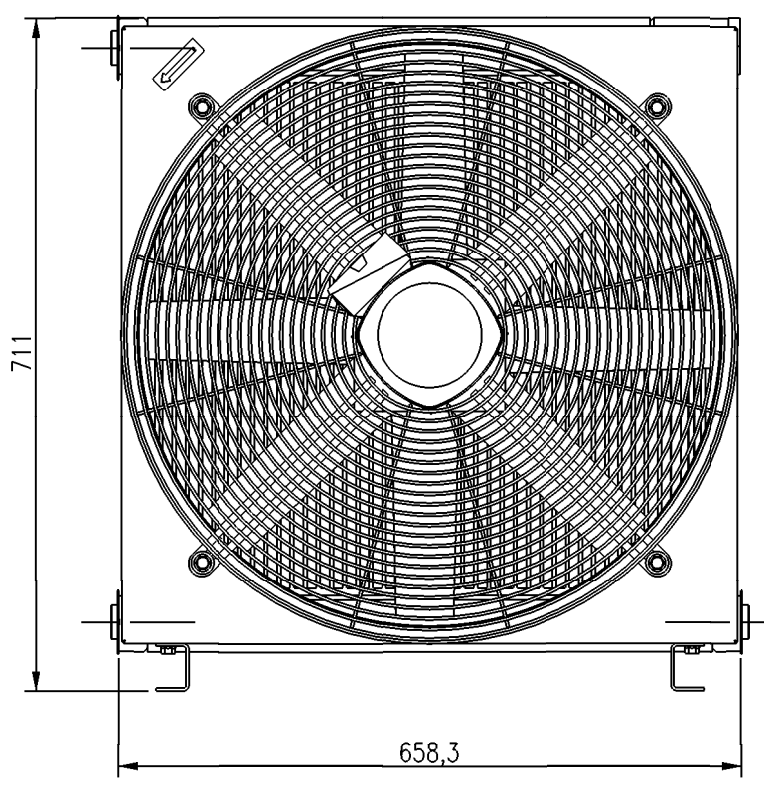
Prod. no: DATE:

Customer ID. NO.:

Nissens part no.:

TEST PRES: psi(bar)	-	OIL: 30	AIR: -	WATER: -
MAX PRES: psi(bar)	-	20	-	-
MIN/MAX TEMP: °F(°C)	-	125	-	-

Made by Nissens



Product in accordance with the following directives:
 PED 97/23/Ec Article 3, part 3

Surface treatment	Mass
- Alu Grey, Steel Black	47 [kg]
Pressure testing	Tolerance class
According to random sampling	ISO 2768-v

Revision change			Special Characteristics	
-			Ⓢ	
Revision date	Revised by	Project ID	Status	
-	-	-	In Work	
Creation date	Created by	Customer	Part no.	
15.10.14	IVJ	-	270188	
NISSENS A/S DK - 8700 HORSSENS TEL: (+45) 7626 2626 WWW.NISSENS.COM		Description		Draw no.
Nissens		HP050-1/WL/R3/BSP/AC50/400-4/S		062939-00
Format A3		Scale 1:10		

CONFIDENTIAL INFORMATION
 This document is the property of Nissens A/S and it may not be distributed without the prior written consent by Nissens A/S